



2001-02 PURE SYSTEM SERVICE GUIDE

Table of Contents

| | |
|---|----|
| Tools Needed | 2 |
| Removing the Lower Legs | 2 |
| Removing the Climb-it Control Knob | 3 |
| Removing Compression and Rebound Assemblies | 4 |
| Reinstalling the Rebound Assembly and Pure Tube | 6 |
| Adding Oil to the Pure Tube | 6 |
| Cycling the Shaft | 7 |
| Testing the Pure System | 8 |
| Re-installing the Lower Legs | 8 |
| Oil Bath | 8 |
| Warranty | 9 |
| 2002 Psylo SL | 10 |
| 2002 Psylo Race | 11 |
| 2002 SID SL/Race | 12 |
| 2001 Psylo SL | 13 |
| 2001 Psylo Race | 14 |
| 2001 SID SL | 15 |
| International Distributors | 16 |

For exploded diagram and part number information, refer to the 2002 Spare Parts Catalog, P/N 950-006157-00. Contact your local distributor or visit the RockShox website at www.rockshox.com for ordering information.

Information contained in this publication is subject to change at anytime without prior notice. For the latest technical information, visit our website at www.rockshox.com. Names used in this manual may be trademarks or registered trademarks of others.



TOOLS NEEDED

- Safety Glasses
- 2 and 5 mm Hex Wrench
- 10 mm Hex Socket (for SID SL and Psylo Race)
- Plastic Faced Mallet
- 24 mm Socket and Ratchet
- Snap Ring Pliers
- Dental Pick or Magnetic Screw Driver
- 50 cc Syringe (may be purchased at a motorcycle shop or medical supply store)
- Oil Pan
- Judy Butter
- 5 wt. oil

REMOVING THE LOWER LEGS

HINT: RIGHT AND LEFT SIDE IS DETERMINED AS IF YOU WERE ON THE BIKE.

1. **For SID SL and Psylo Race:** Remove the air pressure from the fork.
 - a. Remove the negative air valve cover from the bottom left lower leg. Depress the schrader air valve to remove the negative air pressure
 - b. Remove the positive air valve cover from the top of the left upper tube. Depress the schrader air valve to remove the positive air pressure.

NOTE: A SMALL AMOUNT OF OIL MAY COME OUT WHEN RELEASING THE AIR.

2. Remove the rebound adjuster knob from the right shaft bolt. **For Psylo SL:** Use a 5mm hex wrench to unscrew both shaft bolts four turns. **For SID SL and Psylo Race:** Use a 5mm hex wrench to unscrew the right shaft bolt four turns and a 10 mm socket to unscrew the air nut on the left side four turns.

Note: Fully open the rebound adjuster (counterclockwise rotation). This will make it easier for steps where you must cycle the rebound shaft.



3. Using a dead blow mallet, tap the shaft bolts. This releases the pressure fit between the lower legs and the shafts. Remove both shaft bolts (or shaft bolt and air nut) completely.

4. Slide lower legs off.



NOTE: LOWER LEGS HAVE AN OIL BATH WHICH WILL SPILL OUT AS YOU REMOVE THE LEGS. HAVE AN OIL PAN READY TO CATCH THE OIL.



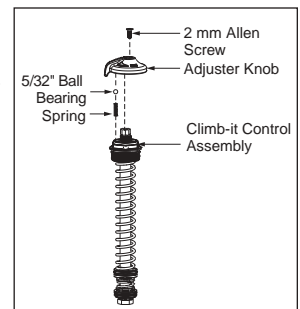
REMOVING THE CLIMB-IT CONTROL KNOB

5. Using a 2 mm allen wrench, remove the screw located in the center of the Climb-it control adjuster knob.
 - a. After removing the screw, remove the adjuster knob (fig. 1).



NOTE: A 5/32-INCH BALL BEARING RESTS ON TOP OF THE CLIMB-IT CONTROL ASSEMBLY.

- b. Remove the 5/32-inch ball bearing. Note which hole the bearing was removed from. If you lose the bearing you can use a 3/32-inch (2 mm) headset bearing
- c. Remove the spring using a dental pick or magnetized screwdriver. Note which hole the spring was removed from.

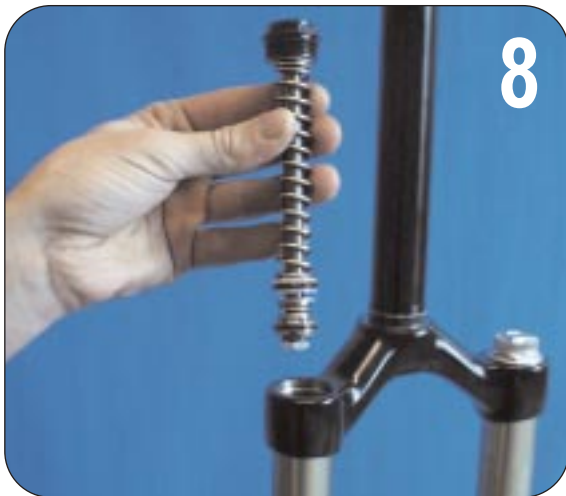


6. With your fingers, unscrew the lock-out rod and remove the rod completely.



REMOVING COMPRESSION AND REBOUND ASSEMBLIES

- Using 24 mm socket and ratchet, remove the top cap.



- Pull out the compression assembly.



Note: the assembly has two o-rings that make the assembly difficult to remove. Use a firm grip and watch for oil as the assembly comes out.

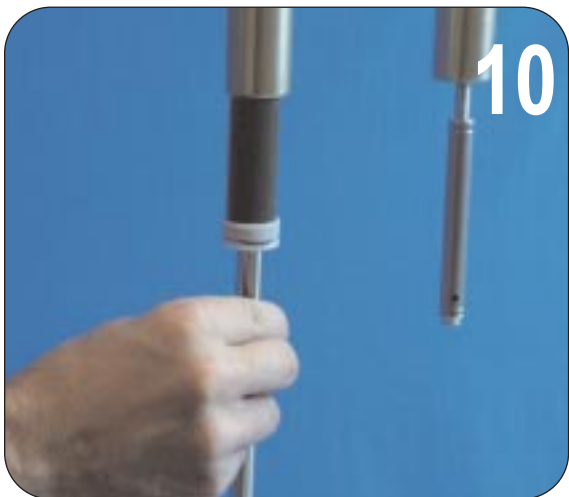


- Using snap ring pliers, remove the snap ring located underneath the right upper tube.



Note: Do NOT angle the upper tubes horizontally, as there is oil inside. The upper tube should stay vertical or no more than 45 degrees from a vertical position.

HINT: THE RIGHT SIDE IS DETERMINED AS IF YOU WERE ON THE BIKE.



10. With the snap ring removed and the fork in a vertical position, remove the Pure tube (with rebound shaft) from the right side of the fork.



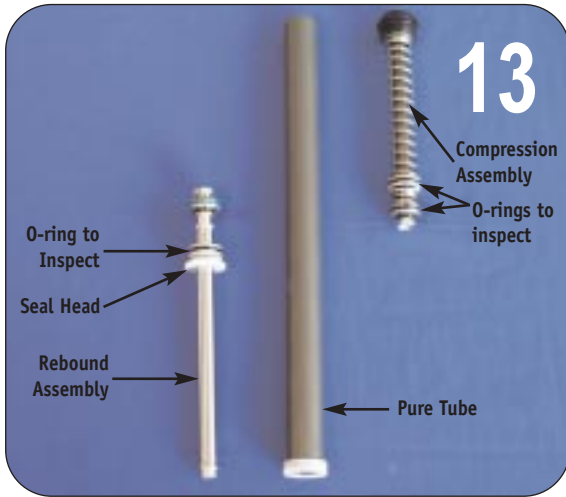
NOTE: THE PURE TUBE HAS OIL INSIDE.



11. Using an oil pan, properly dispose of the oil inside the Pure tube.



12. With the oil disposed, remove the rebound assembly by holding the Pure tube in one hand and the rebound assembly shaft in the other hand. Any remaining oil will come out when you separate the two pieces.



- The rebound assembly, the Pure tube and the compression assembly make up the Pure system (right side of the fork). Inspect all o-rings for cuts, tears or nicks. If necessary, replace any o-rings using the Pure System O-ring Service Kit (PN 110-005565-00).

REINSTALLING THE REBOUND ASSEMBLY AND PURE TUBE

- Re-install the rebound assembly into the Pure tube. Ensure the rebound assembly's white seal head slides all the way inside the Pure tube.
- Insert the Pure tube assembly into the right upper tube of the fork.
 - TIP: THE RIGHT SIDE IS DETERMINED AS IF YOU WERE ON THE BIKE.**
- With the Pure tube assembly inside the upper tube, re-install the snap ring. Ensure the rebound shaft is fully extended as far out as it will go.

ADDING OIL TO THE PURE TUBE



- With the fork in a vertical position, add RockShox 5 wt. oil until the oil level is a 1/2-inch from the top of the Pure tube. Ensure the rebound shaft at the bottom of the upper tube is fully extended.



- Install a syringe on the top hole of the compression assembly and firmly push the entire assembly (with syringe) into the Pure tube by holding on the compression top cap.
 - HINT: SLIGHTLY AGITATE THE ASSEMBLY IF YOU ENCOUNTER ANY RESISTANCE.**
 - NOTE: AS YOU PUSH THE ASSEMBLY DOWN, OIL IS DISPLACED FROM THE PURE TUBE INTO THE SYRINGE. PLACE A RAG OVER THE TOP OF THE SYRINGE TO CATCH ANY OIL THAT MAY SHOOT OUT.**
- Using an adjustable wrench, tighten the top cap firmly. Torque to 40 in-lb. (4.52 Nm).
 - NOTE: THIS TOP CAP IS PLASTIC AND MAY STRIP IF TOO MUCH FORCE IS APPLIED WHEN TIGHTENING.**

CYCLING THE SHAFT



20. With the top cap tightened, place your hand on top of the syringe while holding the rebound shaft with your other hand. Slowly cycle the shaft up and down twelve times. On the last cycle make sure the shaft is fully extended. As you cycle the shaft you will see air bubbles rise to the top of the syringe. On the twelfth cycle there should not be any air bubbles rising to the top. When you finish cycling the shaft, remove the syringe (oil will leak out of the syringe).



NOTE: THIS STEP BLEEDS ALL THE AIR OUT OF THE PURE SYSTEM.

TIP: TURN THE ADJUSTER FULL COUNTERCLOCKWISE.



21. Place the lock-out rod on top of the top cap center hole. Let the lock-out rod settle in by itself. This prevents air from forcing its way into the system. Oil will be displaced as the rod settles into the hole. Use a lint-free cloth to absorb any displaced oil.
22. Hand-tighten the rod until it stops. Using an air compressor, blow out any oil left on top of the top cap and inside the top cap holes. If you do not have an air compressor, use a lint-free cloth to clean the excess oil. Excess oil that is not cleaned up will give the *appearance* of a leaking Pure system.



23. Apply a small amount of grease to the top of the spring. Insert the spring into the hole set at six o'clock, closest to the back of the crown. If the hole isn't lined up at six o'clock, use the hole that is closest to six o'clock on the back of the crown. Once the spring is installed, insert the 5/32-inch ball bearing into the same hole as the spring (on top of spring). The grease applied to the top of the spring will ensure the ball bearing does not fall off.



24

24. Place the Climb-it control adjuster knob on top of the compression assembly. Ensure the adjuster knob is facing at a eight o'clock position toward the back of the fork (the adjuster knob's nub should be pressed against the back of the crown).
25. Using a 2 mm allen wrench, install the screw onto the top of the adjuster knob and compression assembly. The system will be in the locked out position when you are finished.

TESTING THE PURE SYSTEM

26. While in the locked out position, test the Pure system by pushing up on the rebound shaft. The shaft should not compress.
27. Next, turn the Climb-it control knob 180 degrees. The rebound shaft should compress.
28. Leave the fork in the unlocked position when you are done testing.



29

RE-INSTALLING THE LOWER LEGS

29. Ensure the lower legs are clean. Use a biodegradable solvent (Simple Green, Pedro's or equivalent) and a 12" (305 mm) long 1-1/4 inch diameter soft bristle bottle brush to clean the lower leg internals.
30. Slide the cleaned XXX seals and foam filters onto the upper tubes. Slide the lower legs onto the upper tubes until just before the lower bushing engages with the upper tubes.
31. Install foam ring and XXX seals, pressing the XXX seal flush with the lower leg assembly. A small cable tie between the upper tube and the seal will help eliminate air build-up behind the seal upon installation. Remove the cable tie following installation.



32

OIL BATH

32. With the fork inverted, add the appropriate amount of oil in each leg for the oil bath lubrication (see below). Ensure that the oil goes into the leg and not the shaft.



NOTE: TILTING THE FORK UPSIDE DOWN AT A 45 DEGREE ANGLE WORKS BEST.

| Fork | Amount of Oil |
|------------|---|
| SID SL | 10 cc 15 wt. oil (each leg) |
| Psylo SL | 10 cc 5 wt. oil (right leg) 20 cc 5 wt. oil (top of the left upper tube) |
| Psylo Race | 10 cc 5 wt. oil (each leg) |



33. Slide the lower legs all the way onto the upper tubes until they engage the shafts.
34. Inspect the shaft bolt crush washers to ensure they are not deformed or flattened completely. If they are damaged, replace them with new crush washers.
35. **BEFORE** installing the hollow shaft bolt, insert the rebound adjuster knob into the damper and turn the rebound valve to the full clockwise position. Then remove the knob. **This prevents damage to the plastic rebound assembly in the shaft.**
35. Reinstall both shaft bolts (or shaft bolt and air nut) on the lower legs and ensure they engage the shafts. Torque the shaft bolts to 60 in-lb.
36. Reinstall the rebound adjuster into the right shaft bolt.
37. **For SID SL and Psylo Race:** Repressurize the fork according to the specifications found in your RockShox owner's manual.



FOR FURTHER INFORMATION VISIT OUR WEBSITE AT WWW.ROCKSHOX.COM OR CALL 1.800.677.7177. IF YOU LIVE OUTSIDE OF THE UNITED STATES, CONTACT THE ROCKSHOX DISTRIBUTOR IN YOUR COUNTRY.

WARRANTY

RockShox, Inc. warrants its products for a period of one year from original date of purchase to be free from defects in materials or workmanship. Any RockShox product that is returned to the factory and is found by RockShox to be defective in materials or workmanship will be repaired or replaced at the option of RockShox, Inc. This warranty is the sole and exclusive remedy. RockShox shall not be held liable for any indirect, special, or consequential damages.

The warranty does not apply to products which have not been properly installed and adjusted according to RockShox installation instructions. The warranty does not cover any product that has been subject to misuse or whose serial number has been altered, defaced or removed. This warranty does not cover paint damage or modifications to the product. Proof of purchase is required.

WARRANTY REPAIR

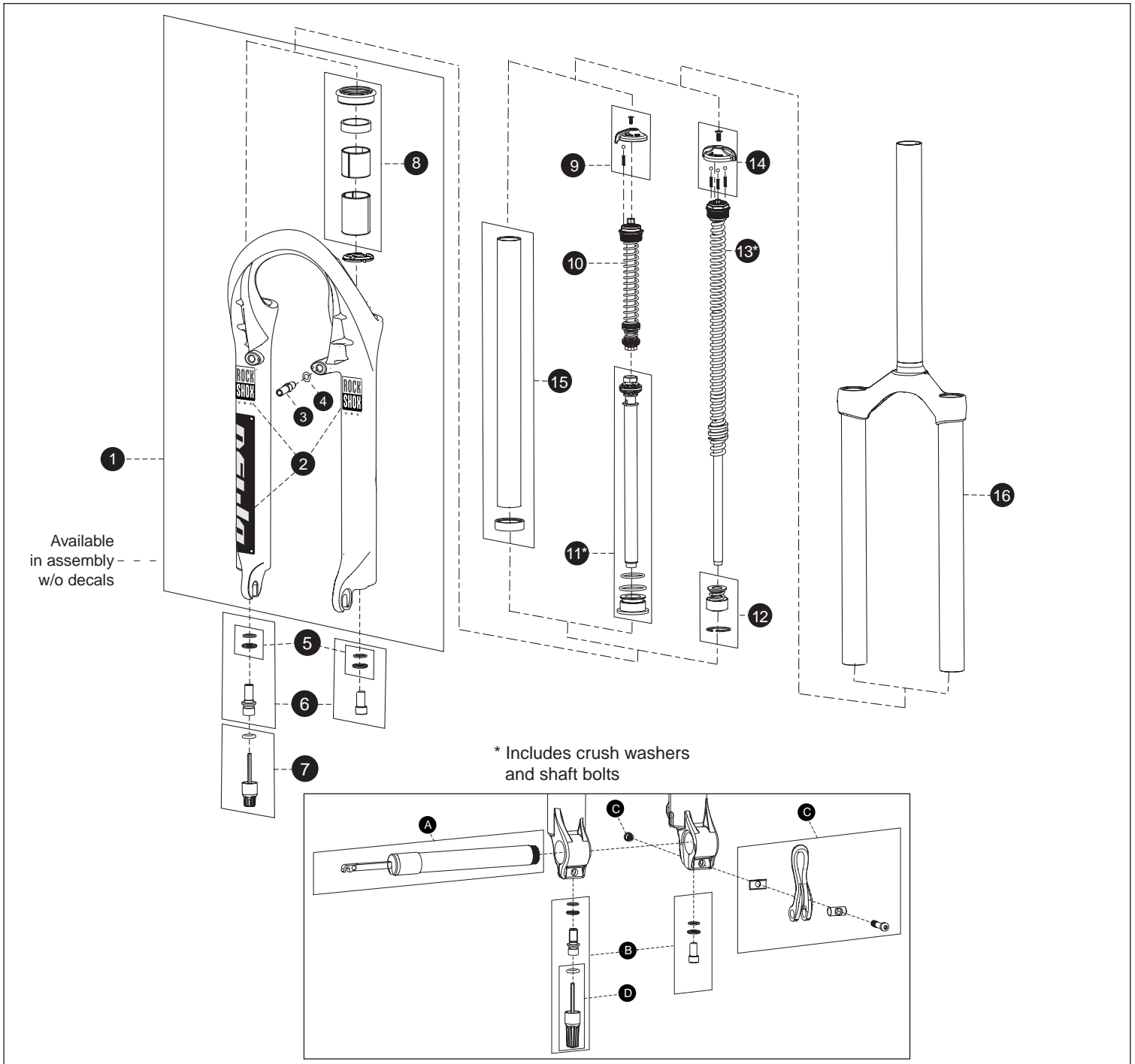
If for any reason it should be necessary to have warranty work done, return the product to the place of purchase. In the USA, Dealers should call for a Return Authorization number (RA#) prior to returning product.

Products returned for inspection must be sent freight prepaid and with proof of purchase to:

RockShox, Inc.
1610 Garden of the Gods
Colorado Spring, CO 80907

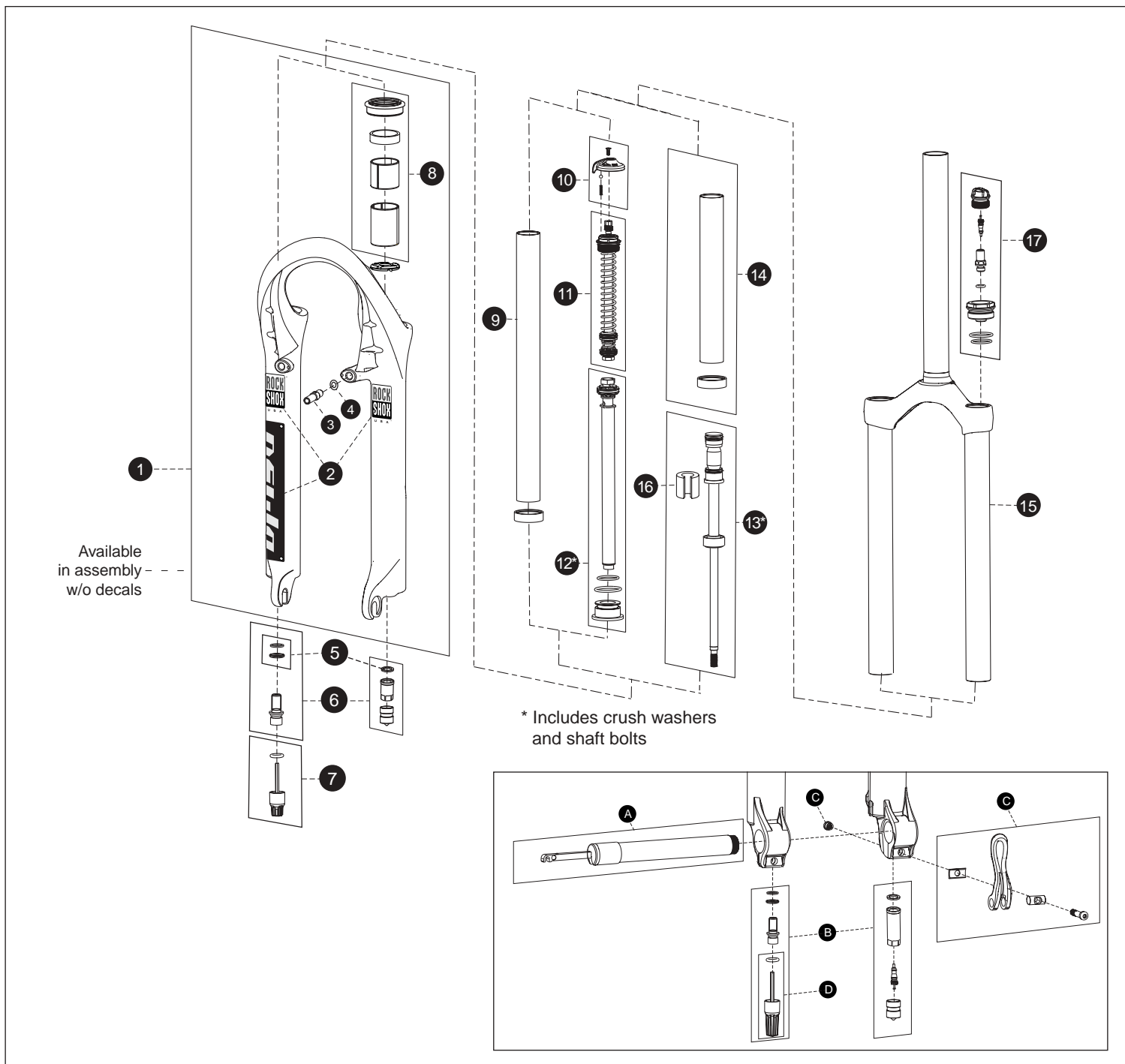
For more technical information, visit our website at www.rockshox.com. For toll-free technical support in the USA, call 1.800.677.7177.

Customers in countries other than the USA should contact their local dealer or distributor.

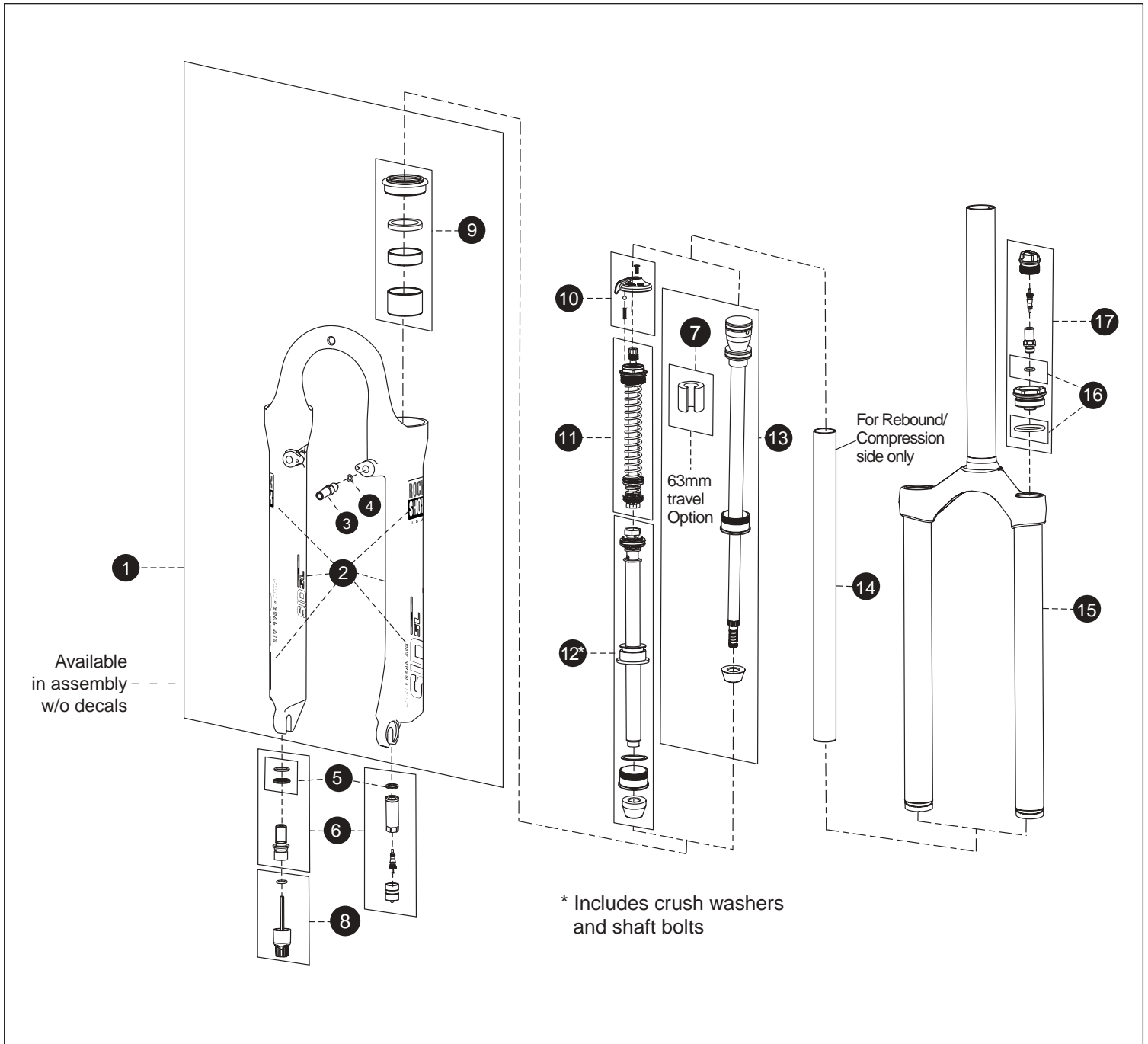


* Includes crush washers and shaft bolts

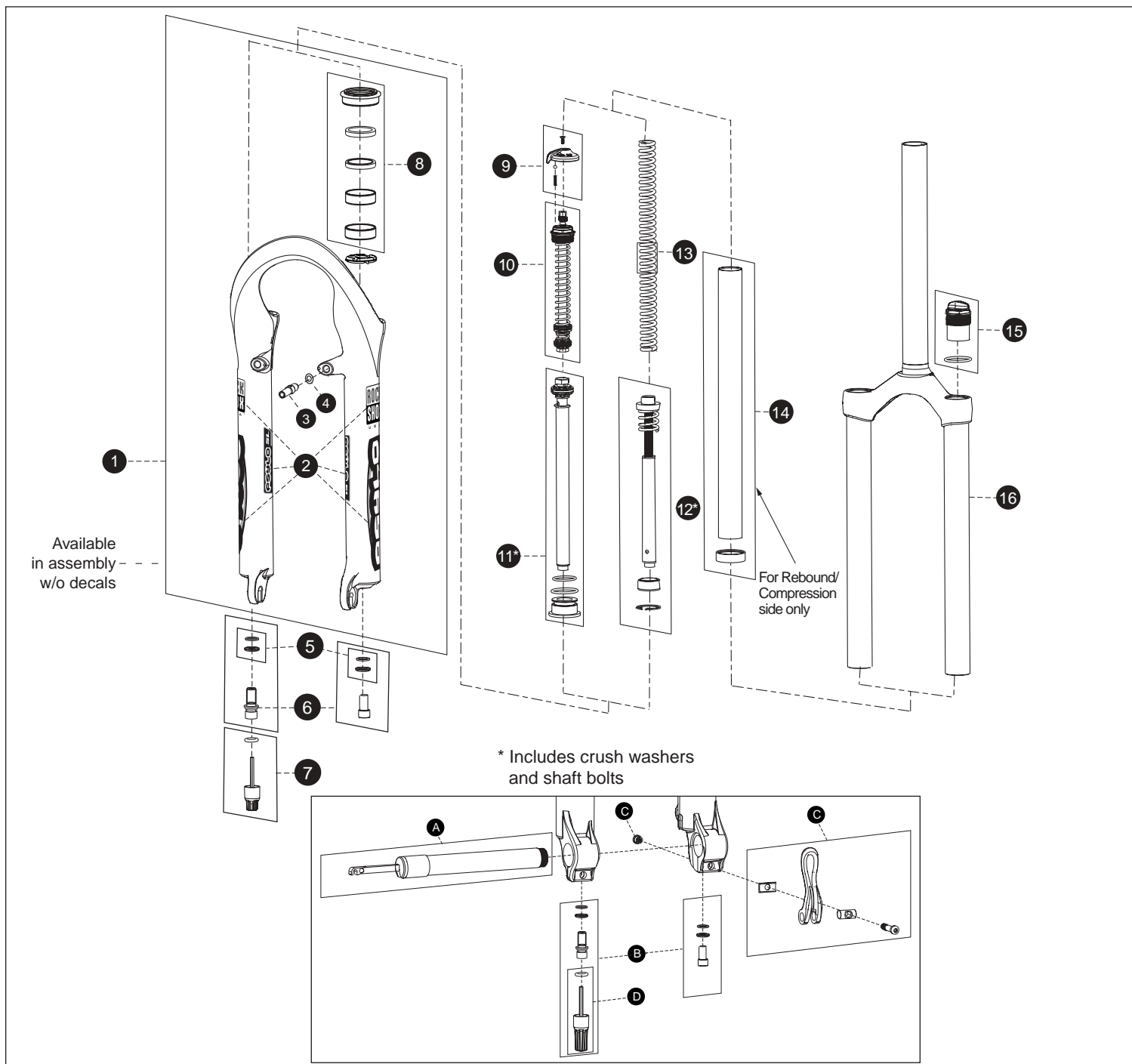
| | | | | | | | | |
|---|---|---------------|----|--|---------------|------------------------|-----------------------------------|---------------|
| 1 | Psylo LL, Conventional w/Boss, Black | 110-006267-00 | 9 | Climb-it Control Adjuster Knob | 110-005558-00 | Tullio Hardware | | |
| | Psylo, Conventional w/Boss, Pearl White | 110-006267-19 | 10 | 01 Psylo SL/Race Pure Compression Assy | 110-005586-00 | A | Tullio Axle Kit | 110-005653-00 |
| | Psylo Tullio LL, Disc Only, Black | 110-006272-00 | 11 | 01 Psylo SL/Race Rebound Assembly | 110-005589-00 | B | Tullio External Hardware Kit | 110-005652-00 |
| | Psylo Tullio LL, Disc Only, Pearl White | 110-006272-19 | 12 | U-turn Base Plate Assembly Kit | 110-006268-00 | C | Tullio Lower Leg Hardware | 110-005654-00 |
| | Psylo LL, Disc Only Conventional, Black | 110-006298-00 | 13 | U-turn Assembly Kit, Soft | 110-006270-01 | D | Tullio Rebound Adjuster Knob Kit | 110-006343-00 |
| | Psylo LL, Disc Only Conv., Pearl White | 110-006298-19 | | U-turn Assembly Kit, Medium | 110-006270-02 | | | |
| 2 | 02 Psylo SL Decal Kit | 110-006274-00 | | U-turn Assembly Kit, Firm | 110-006270-03 | Not Shown: | | |
| 3 | Brake Post | 48131 | 14 | U-turn Adjuster Knob Kit | 110-006269-00 | | Disc Brake Cable Accessory Kit | 110-006344-00 |
| 4 | Flat Washer | 52261 | 15 | Psylo Pure Tube | 110-005557-00 | | Pure Rebuild Kit | 110-006245-00 |
| 5 | Crush Washer Kit | 110-005552-00 | 16 | Psylo SL Crwn/Str/Uppr, 1-1/8 Thrdless | 110-005597-00 | | Pure Compression adjuster Rod Kit | 110-006324-00 |
| 6 | Hydra Air/Hydra Coil Ext.Hardware Kit | 110-005651-00 | | | | | | |
| 7 | Psylo Conventional Rebound Adj. Knob | 110-005603-00 | | | | | | |
| 8 | Psylo Revive Kit | 110-006350-00 | | | | | | |



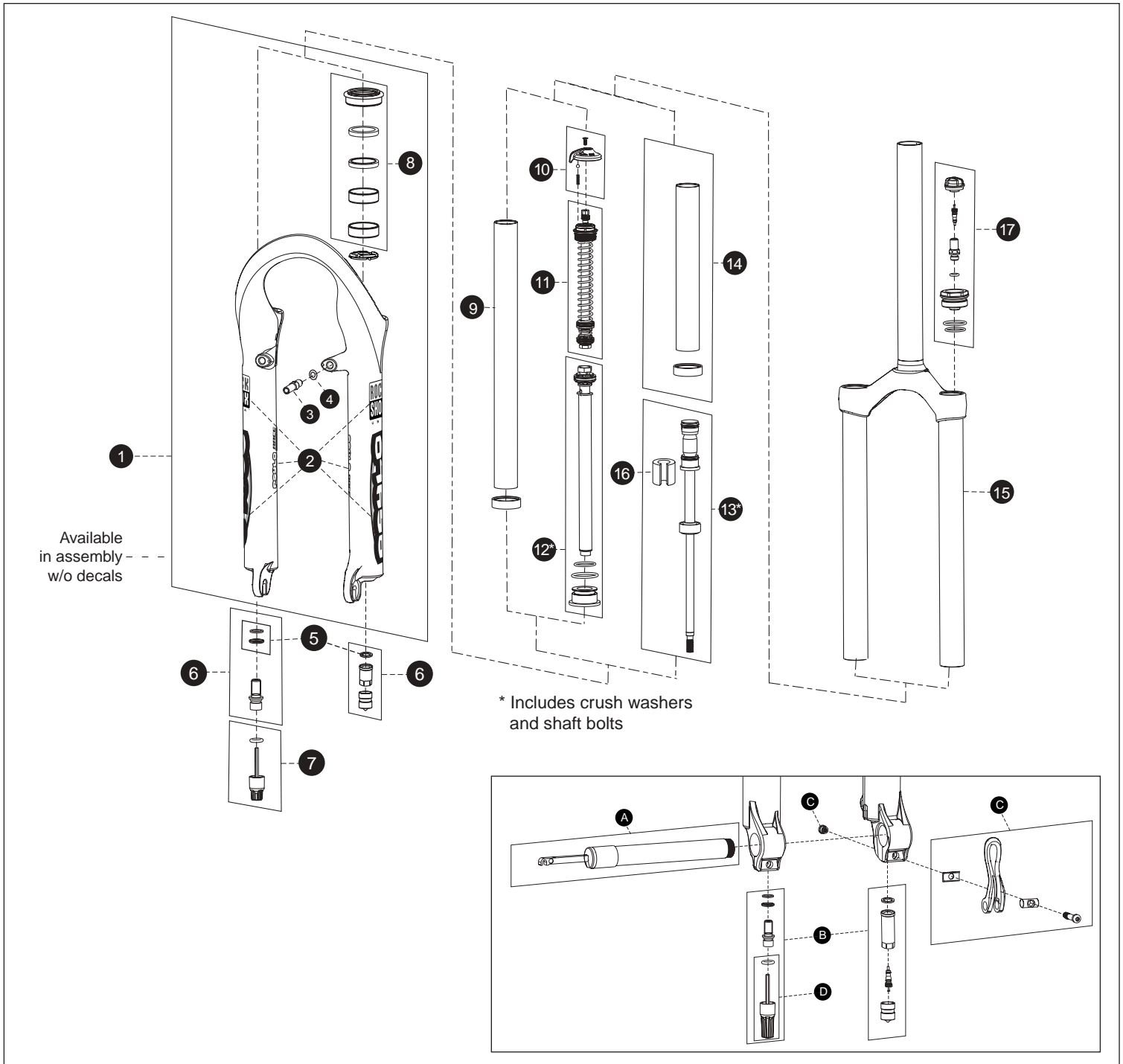
| | | | | | | | | |
|----|--|---------------|------------------------|--|---------------|-------------------|-----------------------------------|---------------|
| 1 | Psylo LL, Conventional w/Boss, Elec. Gold | 110-006267-14 | 12 | 01 Psylo SL/Race Rebound Assembly | 110-005589-00 | D | Tullio Rebound Adjuster Knob Kit | 110-006343-00 |
| | Psylo Tullio LL, Disc Only, Electric Gold | 110-006272-14 | 13 | Psylo Race Negative Spring Assembly | 110-005600-00 | Not Shown: | | |
| | Psylo LL, Disc Only Conventional, Elec. Gold | 110-006298-14 | | Psylo Race Neg. Spring Assy. (Tullio) | 110-005647-00 | | Disc Brake Cable Accessory Kit | 110-006344-00 |
| 2 | 02 Psylo Race Decal Kit | 110-006275-00 | 14 | 01 Psylo Air Tube | 110-005646-00 | | Schrader Air Valve Stem | 200-005171-00 |
| 3 | Brake Post | 48131 | 15 | Psylo Race Crwn/Str/Uprr, 1-1/8 Thrdless | 110-005601-00 | | Schrader Air Cap | 200-005172-00 |
| 4 | Flat Washer | 52261 | 16 | All Travel Spacer Kit | 110-005628-00 | | Schrader Valve Core | 620-001907-00 |
| 5 | Crush Washer Kit | 110-005552-00 | 17 | 02 Duke/Psylo Race Schrader Air Top Cap, Blk | 110-006209-00 | | Pure Rebuild Kit | 110-006245-00 |
| 6 | Dual Air External Hardware Kit | 110-005650-00 | | 02 Schrader Air Top Cap, Aluminum | 110-006432-00 | | Pure Compression Adjuster Rod Kit | 110-006324-00 |
| 7 | Psylo Conventional Rebound Adj. Knob | 110-005603-00 | | | | | Psylo Race Dual Air O-ring Kit | 110-006402-00 |
| 8 | Psylo Revive Kit | 110-006350-00 | Tullio Hardware | | | | | |
| 9 | Psylo Pure Tube | 110-005557-00 | A | Tullio Axle Kit | 110-005653-00 | | | |
| 10 | Climb-it Control Adjuster Knob | 110-005558-00 | B | Tullio External Hardware Kit | 110-005652-00 | | | |
| 11 | 01 Psylo SL/Race Pure Compression Assy | 110-005586-00 | C | Tullio Lower Leg Hardware | 110-005654-00 | | | |



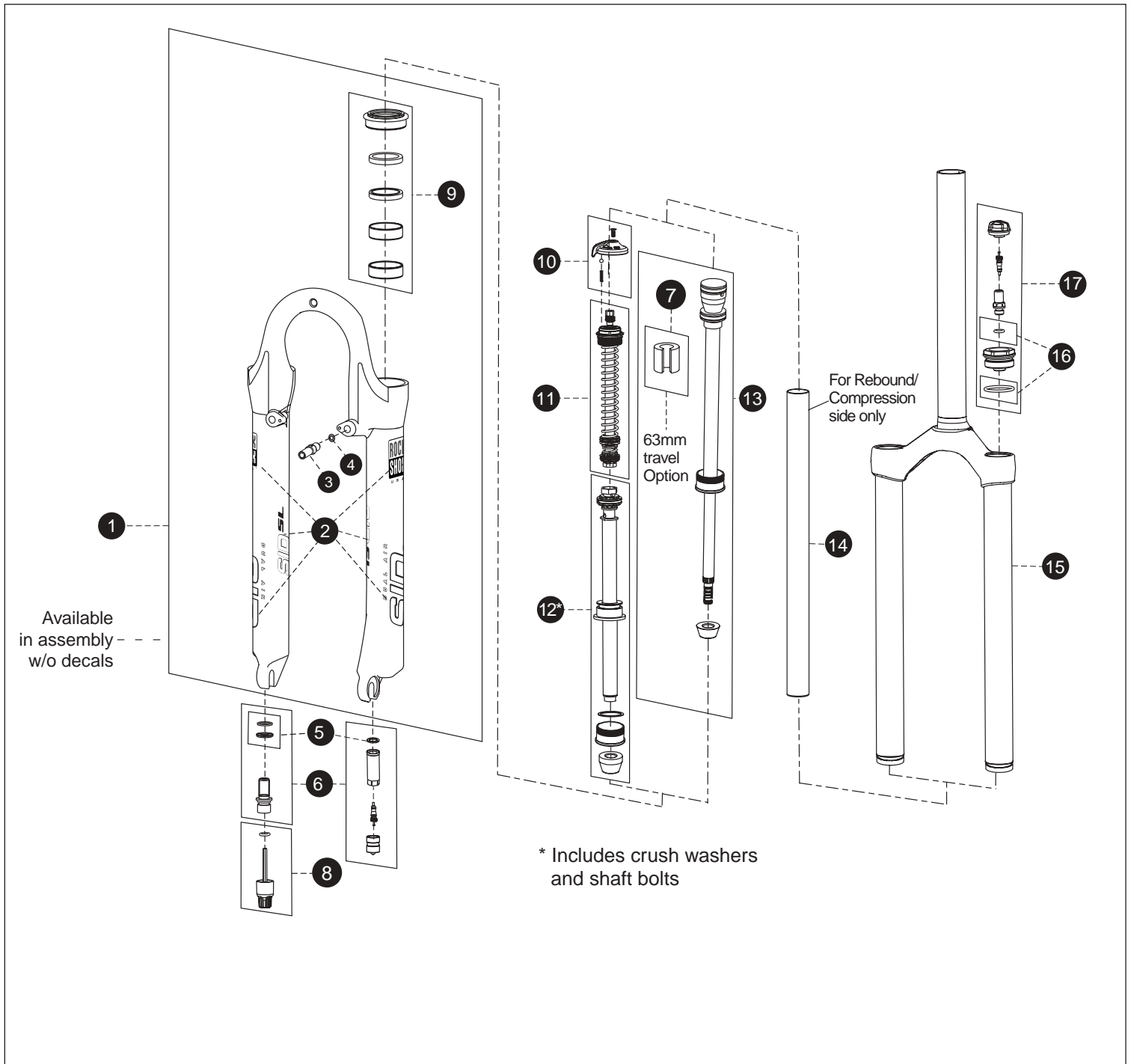
| | | | | | | | |
|---|---------------------------------------|---------------|----|--|---------------|-----------------------------------|---------------|
| 1 | SID SL/Race Lower Leg Assy Black | 110-005570-00 | 8 | SID SL/ Psylo Conv. Rebound Adj. Knob | 110-005603-00 | Not Shown | |
| | SID SL/Race Lower Leg Assy Red | 110-005570-02 | 9 | 02 SID Revive Kit | 110-006204-00 | Pure Rebuild Kit | 110-006245-00 |
| | SID SL/Race Lower Leg Assy SID Blue | 110-005570-06 | 10 | Climb-it Control Adjuster Knob | 110-005558-00 | Pure Compression Adjuster Rod Kit | 110-006324-00 |
| | SID Race Lower Leg Assy Electric Blue | 110-005570-16 | 11 | SID SL/RacePure Compression Assy | 110-005586-01 | | |
| | SID SL/Race Lower Leg Assy (Silver) | 110-006442-00 | 12 | SID SL/Race Rebound Assembly | 110-005589-01 | | |
| | SID SL/Race Lower Leg Assy (Prl Wht) | 110-006410-00 | 13 | SID SL/Race Negative Spring Assembly | 110-005587-00 | | |
| 2 | 02 SID SL Decal Kit | 110-006235-00 | 14 | Pure Tube SID | 110-005557-01 | | |
| | 02 SID Race Decal Kit | 110-006236-00 | 15 | 01 SID SL Crwn/Strr/Uprr 1-1/8 Thdls | 110-005588-00 | | |
| 3 | Brake Post | 48131 | | 02 SID Race Crwn/Strr/Uprr 1-1/8 Thrdls | 110-006238-00 | | |
| | Ti Brake Post | 48132 | | 01/02 SID Race CSU (TiNi) 1-1/8 Thdls (PrlWht) | 110-006409-00 | | |
| 4 | Flat Washer | 52261 | 16 | SID Top CapO-ring Service Kit | 110-006176-00 | | |
| 5 | Crush Washer Kit | 110-005552-00 | 17 | 02 SID Top Cap (w/air valve) | 110-006237-00 | | |
| 6 | Dual Air External Hardware Kit | 110-005650-00 | | | | | |
| 7 | All Travel Spacer Kit | 110-005628-00 | | | | | |



| | | | | | | | | |
|----|--|---------------|----|--|---------------|-----------------------------------|----------------------------------|---------------|
| 1 | Psylo Standard LL, Black | 110-006267-00 | 11 | 01 Psylo SL/Race Rebound Assembly | 110-005589-00 | Tullio Hardware | | |
| | Psylo Standard LL, White | 110-006267-19 | 12 | Psylo XC/SL Plunger Assy | 110-005591-00 | A | Tullio Axle Kit | 110-005653-00 |
| | Psylo Tullio LL, Black | 110-005573-00 | 13 | 01 Psylo XC/SL 31 lb/in Coil Spring (Slvr) | 110-005592-07 | B | Tullio External Hardware Kit | 110-005652-00 |
| | Psylo Tullio LL, White | 110-005573-19 | | 01 Psylo XC/SL 38 lb/in Coil Spring (Wht) | 110-005592-00 | C | Tullio Lower Leg Hardware | 110-005654-00 |
| 2 | 02 Psylo SL Decal Kit | 110-006274-00 | | 01 Psylo XC/SL 45 lb/in Coil Spring (Ylw) | 110-005592-01 | D | Tullio Rebound Adjuster Knob Kit | 110-006343-00 |
| 3 | Brake Post | 48131 | | 01 Psylo XC/SL 52 lb/in Coil Spring (Orange) | 110-005592-02 | | | |
| 4 | Flat Washer | 52261 | | 01 Psylo XC/SL 59 lb/in Coil Spring (Red) | 110-005592-03 | Not Shown: | | |
| 5 | Crush Washer Kit | 110-005552-00 | | 01 Psylo XC/SL 65 lb/in Coil Spring (Gm) | 110-005592-04 | Pure Rebuild Kit | | 110-006245-00 |
| 6 | Hydra Air/Hydra Coil Ext. Hardware Kit | 110-005651-00 | | 01 Psylo XC/SL 85 lb/in Coil Spring (Blue) | 110-005592-05 | Pure Compression Adjuster Rod Kit | | 110-006324-00 |
| 7 | Conventional Psylo Rebound Adj. Knob | 110-005603-00 | | 01 Psylo XC/SL 100 lb/in Coil Spring (Blk) | 110-005592-06 | | | |
| 8 | Psylo Revive Kit | 110-005593-00 | 14 | Psylo Pure Tube | 110-005557-00 | | | |
| 9 | Climb-it Control Adjuster Knob | 110-005558-00 | 15 | Psylo Aluminum Preload Top Cap | 110-005649-00 | | | |
| 10 | 01 Psylo SL/Race Pure Compression Assy | 110-005586-00 | 16 | Psylo SL Crwn/Str/Uprr, 1-1/8 Thrdless | 110-005597-00 | | | |



| | | | | | | | |
|----|--|---------------|----|--|---------------|-----------------------------------|---------------|
| 1 | Psylo Standard LL, Electric Gold | 110-006267-14 | 12 | 01 Psylo SL/Race Rebound Assembly | 110-005589-00 | Not Shown: | |
| | Psylo Tullio LL, Electric Gold | 110-005573-14 | 13 | Psylo Race Negative Spring Assembly | 110-005600-00 | Schrader Air Valve Stem | 200-005171-00 |
| 2 | 02 Psylo Race Decal Kit | 110-006275-00 | | Psylo Race Neg. Spring Assy. (Tullio) | 110-005647-00 | Schrader Air Cap | 200-005172-00 |
| 3 | Brake Post | 48131 | 14 | 01 Psylo Air Tube | 110-005646-00 | Schrader Valve Core | 620-001907-00 |
| 4 | Flat Washer | 52261 | 15 | Psylo Race Crwn/Str/Uppr, 1-1/8 Thrdless | 110-005601-00 | Pure Rebuild Kit | 110-006245-00 |
| 5 | Crush Washer Kit | 110-005552-00 | 16 | All Travel Spacer Kit | 110-005628-00 | Pure Compression Adjuster Rod Kit | 110-006324-00 |
| 6 | Dual Air External Hardware Kit | 110-005650-00 | 17 | 01 Psylo Race Top Cap (Air) | 110-005602-00 | Psylo Race Dual Air O-ring Kit | 110-006402-00 |
| 7 | Conventional Psylo Rebound Adj. Knob | 110-005603-00 | | Tullio Hardware | | | |
| 8 | Psylo Revive Kit | 110-005593-00 | A | Tullio Axle Kit | 110-005653-00 | | |
| 9 | Psylo Pure Tube | 110-005557-00 | B | Tullio External Hardware Kit | 110-005652-00 | | |
| 10 | Climb-it Control Adjuster Knob | 110-005558-00 | C | Tullio Lower Leg Hardware | 110-005654-00 | | |
| 11 | 01 Psylo SL/Race Pure Compression Assy | 110-005586-00 | D | Tullio Rebound Adjuster Knob Kit | 110-006343-00 | | |



| | | | | | | | |
|----|--|---------------|-------------------------|---------------------------------------|---------------|-----------------------------------|---------------|
| 1 | 01 SID SL/Race Lower Leg Assy Black | 110-005570-00 | 11 | 01 SID SL Pure Compression Assy | 110-005586-01 | Pure Rebuild Kit | 110-006245-00 |
| | 01 SID SL/Race Lower Leg Assy Red | 110-005570-02 | 12 | 01 SID SL Rebound Assembly | 110-005589-01 | Pure Compression Adjuster Rod Kit | 110-006324-00 |
| | 01 SID SL/Race Lower Leg Assy SID Blue | 110-005570-06 | 13 | 01 SID SL Negative Spring Assembly | 110-005587-00 | 01-02 SID Top Cap w/out Valve | 110-005551-00 |
| 2 | 02 SID SL Decal Kit | 110-006235-00 | 14 | 01 Pure Tube SID SL | 110-005557-01 | | |
| 3 | Brake Post | 48131 | 15 | 01 SID SL Crwn/Strr/Uppr 1-1/8 Thdlss | 110-005588-00 | | |
| 4 | Flat Washer | 52261 | 16 | 01 Air O-ring Service Kit (SID) | 110-003015-00 | | |
| 5 | Crush Washer Kit | 110-005552-00 | 17 | 01 SID Top Cap (w/air valve) | 110-006237-00 | | |
| 6 | Dual Air Ext. Hardware Kit | 110-005650-00 | | | | | |
| 7 | All Travel Spacer Kit | 110-005628-00 | | | | | |
| 8 | SID Rebound Adj. Knob | 110-005603-00 | | | | | |
| 9 | SID Revive Kit | 110-006204-00 | | | | | |
| 10 | 01 Climb-it Control Adjuster Knob | 110-005558-00 | | | | | |
| | | | Not Shown: | | | | |
| | | | Schrader Air Valve Stem | 200-005171-00 | | | |
| | | | Schrader Air Cap | 200-005172-00 | | | |
| | | | Schrader Valve Core | 620-001907-00 | | | |

Argentina

Broni S.A.
Phone: 54 11 4292 3000
FAX: 54 11 4292 4453
J.J. PASO 1260, (1832) LOMAS DE ZAMORA,
BUENOS AIRES

Australia

Steve Cramer Products
Phone: 61 3 9587 1466
FAX: 61 3 9587 2018
39 INDUSTRIAL DRIVE BRAESIDE, VICTORIA
3192

Austria

Barisitz-Austria
Phone: 43 0 5223 46444
FAX: 43 0 5223 46444-14
A-6060 Milis
Gewerbepark 12

Belgium

Vertex Cycle Systems BV
Phone: 31 23 57 18184
FAX: 31 23 57 18606
FLEMINGSTRAAT 100A, 2041 VL ZANDVOORT
HOLLAND

Bulgaria

Rog 2000
Phone: 3592 44 7042
FAX: 3592 943 3445
18, IVAN ASSEN STR.
1000 SOFIA

Brazil

Pedal Power
Phone: 55 11 3845 6997
FAX: 55 11 3845 6377
R. GOMES De CARVALHO 541
SAO PAULO SO
04547002

Canada

Cycles Lambert
Phone: 800 463-4452 (Quebec)
FAX: 800 461 1685
100 Rue des Riveurs
LEVIS, QUEBEC
G6V 9G3

Chile

Bicicletas Belda Limitada
Phone: 56 32 881799
FAX: 56 32 978799
14 NORTE 1001
VINA DEL MAR

Costa Rica

Inversiones Y Sistemas Garvi
Phone: 506 296 3383
FAX: 506 289 7013
P.O. BOX 4805-1000, SAN JOSE

Croatia

Ciklo-Centar
Phone: 385 1 234 22 24
FAX: 385 1 234 34 22
JURJA VES 30A
10000 ZAGREB

Czech Republic

Vanek Praha
Phone: 42 0 312 698 1889
FAX: 42 0 312 698 025
CERRENY UJEZD 185, UNHOST, 27351

Denmark

Duell A/S
Phone: 45 86 36 7800
FAX: 45 86 36 7377
MOLLERUPVEJ 3, TAASTRUP, 8410 RONDE

Ecuador

Bici Sport
Phone 5932 248737
FAX: 5932 253691
AV DE DICIEMBRE 6327, ENTRE LOUVRE Y
TOMAS DE, BERLANGA.LOCAL #3, QUITO

Estonia

Hawaii Express
Phone: 372 6 398 508
FAX: 372 6 398 566
REGATI 1, 5K-102, TALLINN, 11911, Estonia
Or
Estonian Unidream
Phone: 372 636 7470
Fax: 372 636 7470
Paavli 2A, Tallinn
EE0004, Estonia

Finland

Mr. Cool OY
Phone: 358 9 3250817
FAX: 358 9 3250609
LINNAUORENTIE 28, HELSINKI, 00950

France

Royal Velo France
Phone: 33 325 433 730
Fax: 33 325 43 95 95
4 RUE DES AZALEES, P.A. SUD-CHAMPANGE
ST THIBAUT, 10800

Germany

Sport Import GmbH
Phone: 49 44 05 9280 0
FAX: 49 44 05 9280 49
INDUSTRIESTRASSE 41 B, EDEWECHT, 26188

Greece

Gatsoulis Stefanos Imports
Phone: 30 12512 779
FAX: 30 12533 960
8 THESSALONIKIS STREET, NEW FILADELPHIA,
ATHENS, T.T. 14342

Guatemala

BYS Importaciones S.A.
Phone: 502 366 7709
FAX: 502 363 3918
18 CALLE 7-48, ZONA 10, GUATEMALA

Holland

Vertex Cycle Systems BV
Phone: 31 23 57 18184
FAX: 31 23 57 18606
FLEMINGSTRAAT 100A, 2041 VL ZANDVOORT
HOLLAND

Hong Kong

Flying Ball Bicycle Company
Phone: 852 23813661
FAX: 852 23974406
201 TUNG CHOI ST. G/F, MONGKOK KOWLOON

Hungary

Prokero Ltd Co.
Phone 361 331 3184
FAX: 361 331 3184
KALMAN IMRE UTCA 23, BUDAPEST, 1054

Iceland

Orninn Hjol Ltd
Phone: 354 588 9892
FAX: 354 588 9896
SKEIFAN 11, P.O. BOX 8036, REYKJAVIK

Ireland

Madison
Phone: 44 20 8385 3385
Fax: 44 20 8385 3443
BUCKINGHAME HOUSE EAST, THE BROADWAY
STANMORE, MIDDLESEX HA7 4EA
UNITED KINGDOM

Israel

Becidan Cycles
Phone: 972 9 954 9165
FAX: 972 9 954 9165
92 SOKOLOV HERZELYA

Italy

Motorquality
Phone: 39 02 24 951 1
FAX: 39 02 24 951 228
20099 SESTO S. GIOVANNI, (MI) I VIA VENEZIA,
(ANG. VIA CARDUCCI), MILANO

Japan

Yoshigai Corporation
Phone: 81 6 4309 2530
FAX: 81 6 4309 2532
74-3 Nagata-Higashi,
Higashi-Osaka, Japan

Korea

OD Bike Inc.
Phone: 82 2 474 0818
Fax: 82 2 474 0656
3F 379-20 SUNGNAE-DONG, KANGDONG-KU,
SEOUL, 134-030

Latvia

Veloserviss
Phone: 371 750 1292
Fax: 371 750 1298
1/1 HAPSALAS ST., RIGA, LV-1005

Luxembourg

Vertex Cycle Systems BV
Phone: 31 23 57 18184
FAX: 31 23 57 18606
FLEMINGSTRAAT 100A, 2041 VL ZANDVOORT
HOLLAND

Malyasia

Gin Huat Cycle Trading
Phone: 603 6189 1663
FAX: 603 6189 1662
NO. 8, JALAN INDUSTRI BATU CAVES ½
TAMAN PERINDUSTRIAN BATU CAVES
68100 BATU CAVES
SELANGOR DARUL EHSAN

Mexico

Tekno Bike & Outdoor Prod.
Phone: 52 8 343 1550
FAX: 52 8 343 1275
Porfirio Diaz #469
Col Centro CP 6400
Monterey, NL Mexico

New Zealand

W.H. Whorrall & Co. Ltd.
Phone: 64 9 63 6 06 41
FAX: 64 9 63 6 06 31
43 FELIX ST
PENROSE, AUCKLAND
NEW ZEALAND

Norway

Hallman Sports
Phone: 46 18 56 16 00
FAX: 46 18 50 03 22
HALLNASGATAN 8, S-75228 UPPSALA, SWEDEN

Panama

Distribuidora Rali S.A.
Phone: 507 220-3844
FAX: 507 220-5303
VIA ESPANS EDIFICA CARCEP, P.O. BOX 87-
0852, PANAMA 7

Peru

Rojo Sports
Phone: 511 447 0838
FAX: 511 447 0838
AV. REPUBLICA DE, PANAMA 6513, LIMA 33

Poland

Giant Polska S.P. ZOO
Phone: 48 22 645 14 34
FAX: 48 22 645 14 36
AL NIEPODLEGLOSCI 221-4, 02-087 WARSZAWA

Portugal

Bicimax
Phone: 351 244 553276
FAX: 351 244 553187
APARTADO 34, 2431 MARINHA GRANDE

Russia

Sportex
Phone: 7095 288 4524
FAX: 7095 288 6888
KUDRINSKAYA PL., 1,, P.O.BOX 33, MOSCOW,
123242

St. Maarten

Tri-Sport International
Phone: 5995 43462
FAX: 5995 43928
8 AIRPORT BOULEVARD, SIMPSON BAY,
NAMIBIA

Singapore

Trekology Bikes 3
Phone: 65 466 2673
FAX: 65 466 7610
24 HOLLAND GROVE ROAD, SINGAPORE, 1545

Slovak Republic

Paul Lange Oslany
Phone: 42 1 862 5492 344
FAX: 42 1 862 5492 350
MIEROVA 854/37 OSLANY, 97247 SLOVAKIA

Slovenia

Proloco Trade
Phone: 386 64 380 200
FAX: 386 64 380 222
ENOTA KRANJ, BRITOF 96A, 4000 KRANJ

South Africa

Coolheat (SA) (PTY) Ltd.
Phone: 27 11 807 5282
FAX: 27 11 807 2998
3 RUARGH STREET, PARK CENTRAL, P O BOX
740, JOHANNESBURG 2001

Spain

K. Motor Dealer S.L.
Phone: 34 9 1 637 70 97
FAX: 34 9 1 637 72 64
PARQUE INDUSTRIAL, EUROPOLIS EDIFICO
BRUSELA, BLOQUE 4, NAVE 1, LAS ROZAS
(MADRID), N/A, 28230

Sweden

Hallman Sports
Phone: 46 18 56 16 00
FAX: 46 18 50 03 22
HALLNASGATAN 8, S-75228 UPPSALA

Switzerland

Cilo Bike Service SA
Phone: 41 21 641 63 30
FAX: 41 21 641 63 82
CH. DE L'ORIO 30 A, CASE POSTALE 64, CH-
1032 ROMANEL S. LAUSANNE

Taiwan

Biketech Co. Ltd.
Phone: 886 22 694 5806
FAX: 886 22 694 6133
NO. 12 FU TEH ROAD, 266 LANE, 37 ALLEY
HSICHIH, TAIPEI HSIEN, TAIWAN, R.O.C.

Thailand

Probike Co. Ltd.
Phone: 662 254 1077
FAX: 662 254 1078
237/2 SARASIN ROAD, LUMPINNE, PATUMWAN,
BANGKOK, 10330

Turkey

EBSAT
Phone: 90 212 514 0525
FAX: 90 212 519 4846
EBSAT EMEK BISIKLET, EBUSSUUD CAD NO.67,
34410 SIRKECI, ISTANBUL, 34410

United Kingdom

Madison
Phone: 44 20 8385 3385
Fax: 44 20 8385 3443
BUCKINGHAME HOUSE EAST, THE BROADWAY
STANMORE, MIDDLESEX HA7 4EA
UNITED KINGDOM

Venezuela

Bike Sports
Phone: 582 751 9709
FAX: 582 753 5071
CENTRO COMERCIAL IBARRA, PLANTA BAJA,
LOCAL 3-A CALLE GARCILAZO, COLINAS DE
BELLO, 0, CARACAS