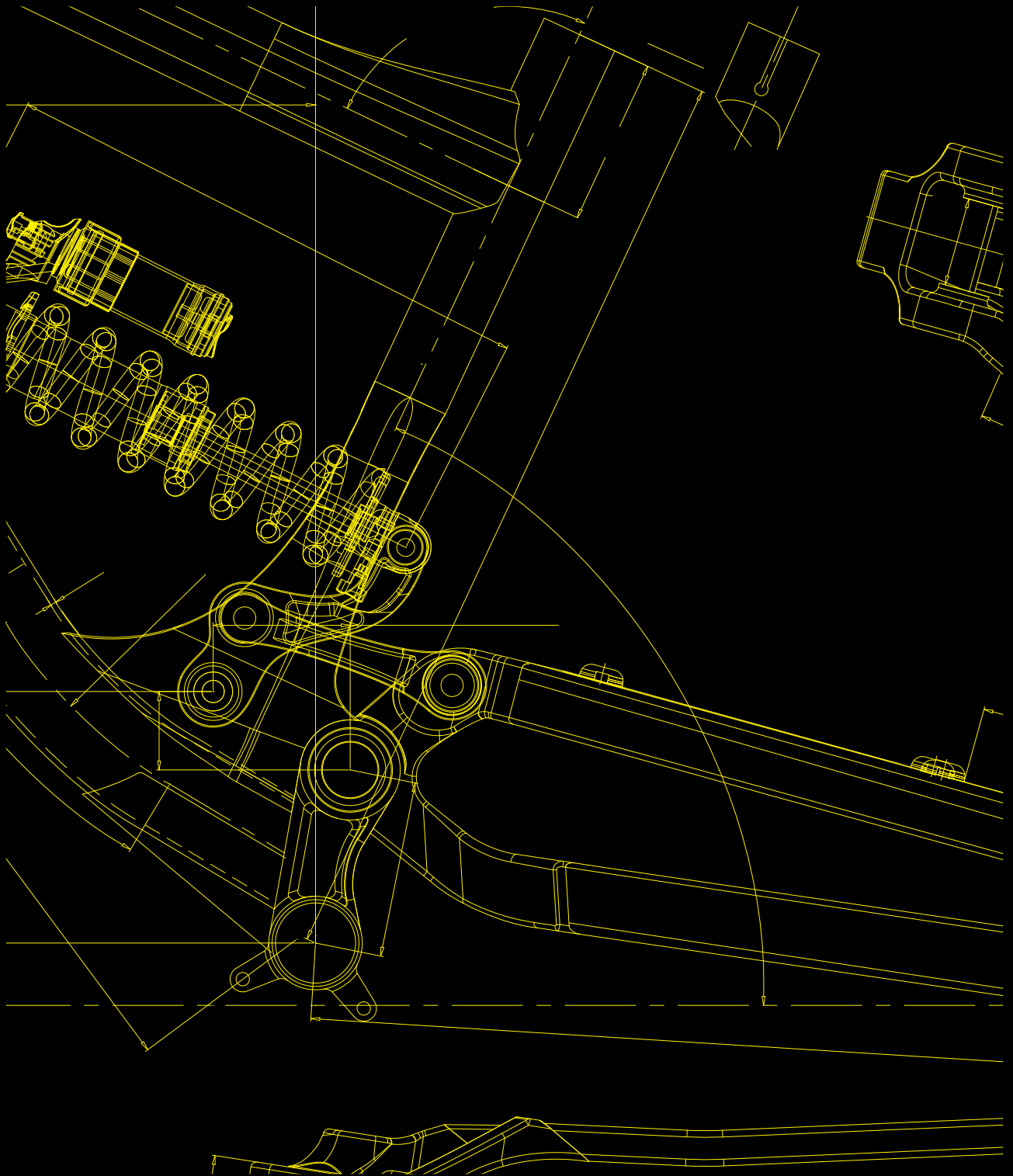

TECH BOOK

ecommencaL



SUM- MARY

Contacts **Suspension Adjustment**

BICYCLES

SUPREME DH
SUPREME
FURIOUS
ABSOLUT SX
ABSOLUT
ABSOLUT CRMO
RAMONES
META 6
META 55 CARBON
META 55
SUPER 4 CARBON
SUPER 4
SKIN
PREMIER
BABYLON

Rear Hanger Compatibility
Freehub body Compatibility
Adjusting the Head Angle
Adjustable Head Tube Sleeve
Chainguide Compatibility
Torque Settings
Frame Part Compatibility
Spoke Lengths

CONT- ACTS

HEADQUARTERS

COMMENCAL Bicycles
COMESPORT S.A
BP36 AD400 La Massana
PRINCIPAT D'ANDORRA

Phone 00 376 73 74 75

Fax 00 376 73 74 90

Email info@commencal.com

Web www.commenal.com

WARRANTY

COMMENCAL Bicycles
COMESPORT S.A
BP36 AD400 La Massana
PRINCIPAT D'ANDORRA

Phone 00 376 73 74 93

Fax 00 376 73 74 92

Email sav@commencal.com

SALES

International Sales Manager

David PERGANT
dave@commencal.com
00376 73 74 75

International Sales

Dinh NGUYEN
dinh@commencal.com
00376 73 74 75

International Sales

Regis NOLLEVALLE
regis@commencal.com
00376 73 74 75

Sales Administration

Gregory RAYNAUD
greg@commencal.com
00 376 73 74 77

SUSPENSION ADJUSTMENT

Your bicycle will have been delivered with the suspension manufacturers user manuals, we suggest that you read them carefully, and refer to them if you have the slightest of doubt. Before carrying out any adjustment on your suspension, make sure that the compression adjustment is completely liberated. This means that there should be no propedal, lockout or other such system activated. If this is not done, the compression values of your suspension would be inaccurate

FRONT SUSPENSION

To adjust the front suspension, please refer to the manufacturers user manual delivered with the bicycle.

REAR SUSPENSION

_1. Sag adjustment

All of our full-suspension bicycles are equipped with our proprietary suspension system, referred to as the Contact System. This system has been conceived so that the rear shock compresses when you sit on the bicycle, leading to fantastic grip and control of your bicycle. For ease of understanding, this is adjusted by measuring the axle-to-axle distance of the rear shock with the rider sitting on the bicycle. Adjustment is carried out as follows:

- Sit yourself on the bicycle normally, as if you were riding, with hands on the handlebars, and feet on the pedals. It is easier to do this while leaning up against a wall or a fence.
- While remaining on the bicycle get a friend to measure the axle-to-axle distance A (please see overleaf) of the rear shock. With this measurement taken, refer to the Contact System adjustment table that can be found with the technical spec sheet of our bicycle, so as to compare the measured values with the recommended ones.
- If the values measured do not correspond, it is necessary to adjust the spring preload of your rear shock. This can be done either with a high-pressure shock pump in the case of an air shock, or by adjusting the spring preload ring for helicoidally sprung shocks.

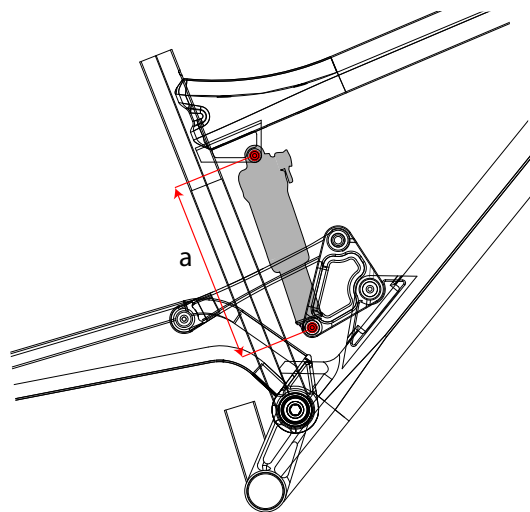
_2. Rebound adjustment

The rebound adjustment manages the extension speed of your shock after it has been compressed. To adjust this, ride off of a curb while remaining seated on the saddle of your bicycle. Your rear suspension should stabilize in less than 2 oscillations. If this is not the case, adjust the rebound rate via the adjustment knob, often red in colour. The more you screw in this knob, the slower the rate of return of the suspension, and vice versa.

Rebound adjustment takes a little bit of experience to be adjusted correctly. The ideal adjustment will depend on the type of terrain ridden and your style of riding.

_3. Other adjustments

It is possible that your suspension has other adjustment possibilities, such as an anti-bob adjustment. To adjust such systems, please refer to the rear shock manufacturers user manual, delivered with the bicycle.



Incorrect adjustment of your rear shock can result in irreparable damage. If in doubt, do not hesitate to get your local Authorized Commercial retailer to adjust it for you.



For the ideal working balance between the front and rear suspension of your bicycle, make sure that they are adjusted with similar levels of sag.

SUPREME DH
Racing

2010

TECHNICAL SPEC SHEET

SUPREME DH

BICYCLE TYPE <i>freeride/ DH full suspension mountain bicycle</i>	HEADSET TYPE <i>headset classic</i>
FRAME MATERIAL <i>aluminium Nuts ex</i>	DISC BRAKE STANDARD <i>direct post mount for disc 200mm minimum</i>
REAR SUSPENSION TRAVEL <i>200mm</i>	MAX REAR DISC/ROTOR SIZE <i>203mm</i>
SHOCK LENGTH/STROKE <i>241X76mm</i>	SEATPOST/SEAT CLAMP DIAMETER <i>31,6mm / 34,9mm</i>
PIGGYBACK SHOCK COMPATIBLE ? <i>yes</i>	BOTTOM BRACKET WIDTH <i>83mm BSA</i>
SHOCK SPACER DIMENSIONS <i>22,2x8mm</i>	ISCG MOUNTS/STANDARD <i>ISCG 05</i>
RECOMMENDED FORK HEIGHT/MAX HEIGHT <i>585 / 585mm</i>	FRONT MECH TYPE <i>incompatible</i>
HEADSET DIMENSION <i>1 inch 1/8</i>	REAR HUB COMPATIBILITY <i>150X12mm</i>

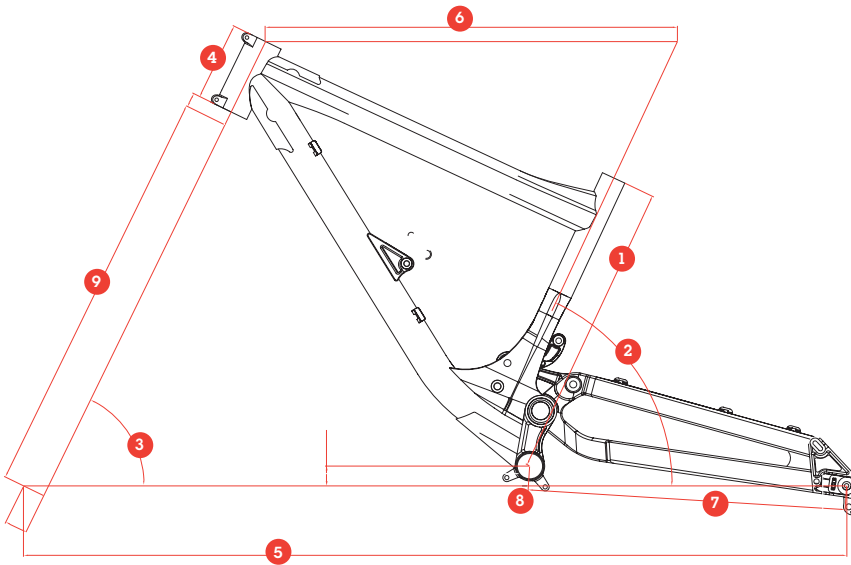
CONTACT SYSTEM ADJUSTMENT TABLE

Sag is the shock compression value when the rider sits on the bicycle at a standstill. In this case sag is expressed in a percentage value of the total travel of the rear shock. The axle-to-axle value should be obtained with the rider seated on the bicycle. Adjustment of your suspension using the

Contact System adjustment table should be done while referring to the suspension adjustment sheet delivered with your bicycle.

SUPREME DH	SAG %	Rear shock axle-to-axle distance	Comments
SAG optimum	30%	218mm	This adjustment will give you optimal performance in all types of terrain
SAG mini	25%	222mm	This adjustment will give you firmer suspension, suitable for rolling terrain
SAG maxi	35%	214mm	This adjustment will give you softer suspension, suitable for rougher terrain

GEO- METRY



SIZES

	S/M	L/XL
1. SEAT TUBE LENGTH	420mm	440mm
2. SEAT TUBE ANGLE	65°	65°
3. HEAD TUBE ANGLE	64° +/-1°	64° +/-1°
4. HEAD TUBE LENGTH	111mm	111mm
5. WHEEL BASE	1157→1172mm	1184→1200mm
6. TOP TUBE LENGTH	584mm	603mm
7. CHAIN STAY LENGTH	440s→455mm	440→455mm
8. BB HEIGHT	28mm	28mm
9. FORK LENGTH	585mm	585mm

SUPREME DH

SIZE CHART

BIKES	HEIGHT (meters)	HEIGHT (feet/inches)
S/M	1,60 → 1,85	5'3" → 6'1"
L/XL	From 1,82	From 6'

SPECIFIC- ATIONS

SUPREME DH

FRAME Updated Supreme DH

SHOCK Fox Van R

FORK New Rock Shox Boxxer Race

HEADSET Tange Fatty MX2 1"1/8

STEM FSA Gravity direct mount

BARS Truativ Holzfeller low rise

GRIPS Ç Deluxe Lock-On

BRAKES Avid Elixir 5 203/203

SHIFTERS Shimano SLX right

FRONT MECH E13 LS1 W/ Taco

REAR MECH Shimano Saint

BOTTOM BRACKET Truativ Howitzer

CRANKS Truativ Hussefelt 36t w/ howitzer interface

CHAIN Shimano HG 9s

CASSETTE Sram PG-950 11-28

SEATPOST SDG Micro I BEAM

SADDLE SDG I Fly

HUBS Ç disc+ sealed bearings 12mm rear/20mm front

SPOKES Stainless 64p 3x lacing

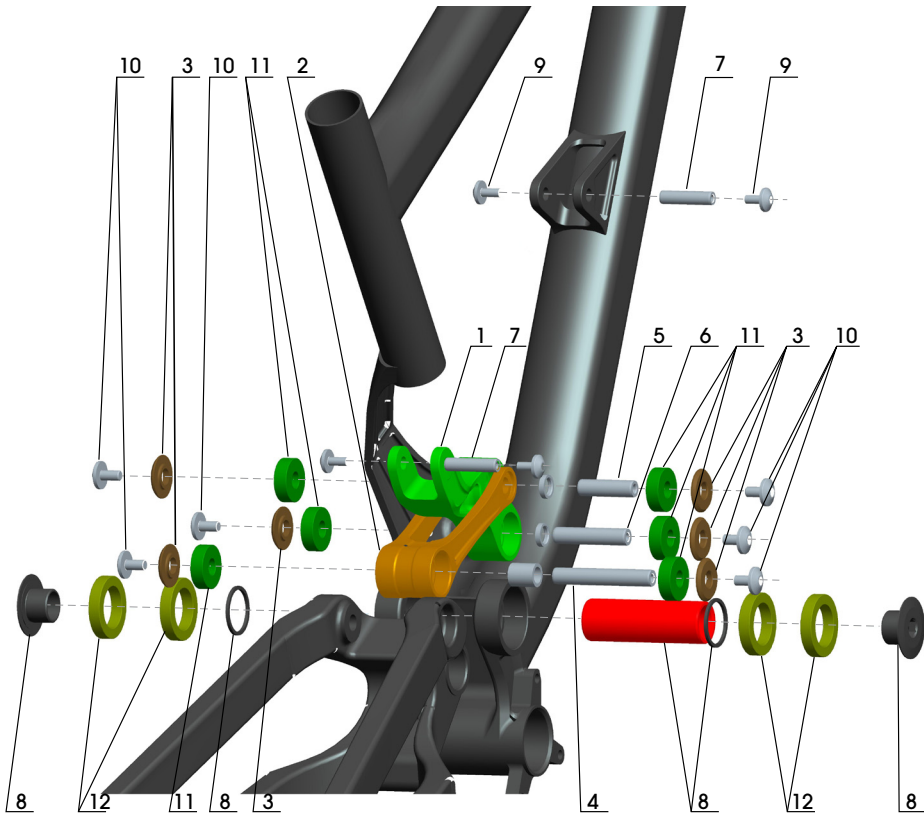
RIMS DT Swiss X430 white for Ç

TIRES Maxxis Minion DHF 26x2.5

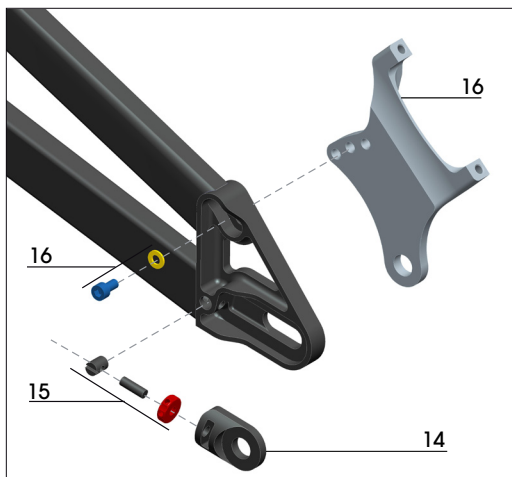
COLOUR Neon Red

SIZES S/M, L/XL

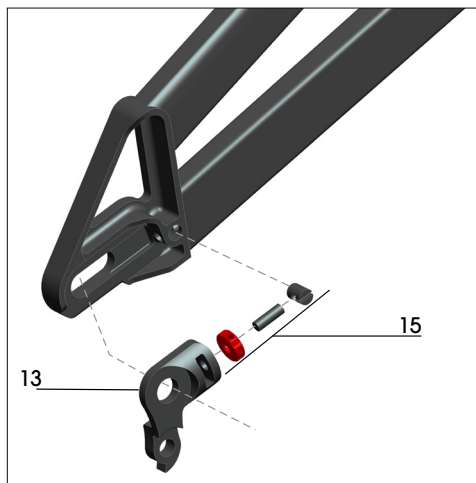
WEIGHT 17,8Kg



Left Side



Right Side



SUPREME DH / 2010

ITEM	KIT CONTENT	KIT NAME	GENCODE
1	1 x Supreme DH V2 rocker link	Rocker link kit for Supreme DH	900833
	4 x bearings:6000-2RS (10 x 26 x 8mm)		
	2 x Supreme Ø14 x 3mm spacer		
2	1 x Supreme DH V2 connecting rod	Connecting rod kit for Supreme DH	900834
	1 x Supreme connecting rod inside spacer		
	2 x bearings:6000-2RS (10 x 26 x 8mm)		

SUPREME DH / 2010

ITEM	KIT CONTENT	KIT NAME	GENCODE
3	6 x Supreme Ø25,5 x 4mm spacers	spacer kit for all Supreme	900835
4	1 x Ø10 x 63 mm axle	complete contact system axle kit for Supreme DH	999955
5	1 x Ø10 x 35 mm axle		
6	1 x Ø10 x 46 mm axle		
7	1 Ø8 x 33mm axle		
8	1 x Ø25 x 75,4 mm M20 main pivot axle 2 x specific main pivot bolt M20 2 x big washers Ø25 x 1,7 mm	Main pivot axle kit for all Supreme 09	900832
9	10 x M5 sinking bolt 0,8 x 12 mm	M5 screws kit	10520002
10	6 x M6 sinkink bolt 0,8 x 12 mm	M6 screws kit	10550001
11	6 x bearings 6000-2RS (10 x 26 x 8mm)	6 bearings for contact system type suprem	999956
12	4 x bearings:6805-2RS (25 x 37 x 7mm)	Main pivot bearings kit	046500
13	1 x Supreme DH right hanger	Supreme 09 DH rear rihgt hanger	900800
14	1 x Supreme DH left hanger	Supreme DH left hanger	800841
15	1 x Ø16 x 5mm dial 1 x insert for M5 bolts-Ø7.5 x 9mm 1 x M5 x 28mm threaded rod 1 x M4 x 6mm STHC bolt	Supreme DH wheelbase kit adjuster kit for left or right	800838
16	1 x adjustable disc brake mount 1 x M6 x 10mm CHC bolt 1 x flat washer for M6 bolt	adjustable rear disc brake mount kit Supreme DH	900836

ADDITIONAL SPARE PARTS

KIT CONTENT	KIT NAME	GENCODE
1 x Supreme DH right hanger	Supreme 09 DH rear right hanger	900800
1 x Supreme DH left hanger	Supreme DH left hanger	800841
1 x Ø12 x 181mm axle 2 x big washers for M6 bolts Ø23x8.5mm 2 x CHC M6 bolts x 20mm	Rear wheel axle kit 12 x 181 mm	800701

SUPREME
Racing

2010

TECHNICAL SPEC SHEET

SUPREME

BICYCLE TYPE <i>freeride/dh full suspension mountain bicycle</i>	HEADSET TYPE <i>headset classic</i>
FRAME MATERIAL <i>aluminium Nuts ex</i>	DISC BRAKE STANDARD <i>disc mount international standart</i>
REAR SUSPENSION TRAVEL <i>160mm</i>	MAX REAR DISC/ROTOR SIZE <i>203mm</i>
SHOCK LENGTH/STROKE <i>200X57mm</i>	SEATPOST/SEAT CLAMP DIAMETER <i>31,6mm / 34,9mm</i>
PIGGYBACK SHOCK COMPATIBLE <i>yes</i>	BOTTOM BRACKET WIDTH <i>68mm BSA</i>
SHOCK SPACER DIMENSIONS <i>22,2x8mm</i>	ISCG MOUNTS/STANDARD <i>ISCG 05</i>
RECOMMENDED FORK HEIGHT/MAX HEIGHT <i>545 / 555mm</i>	FRONT MECH TYPE <i>down swing 31,8 mm / down pull</i>
HEADSET DIMENSION <i>1 inch 1/8</i>	REAR HUB COMPATIBILITY <i>135mmX10mm or 135mmX12mm</i>

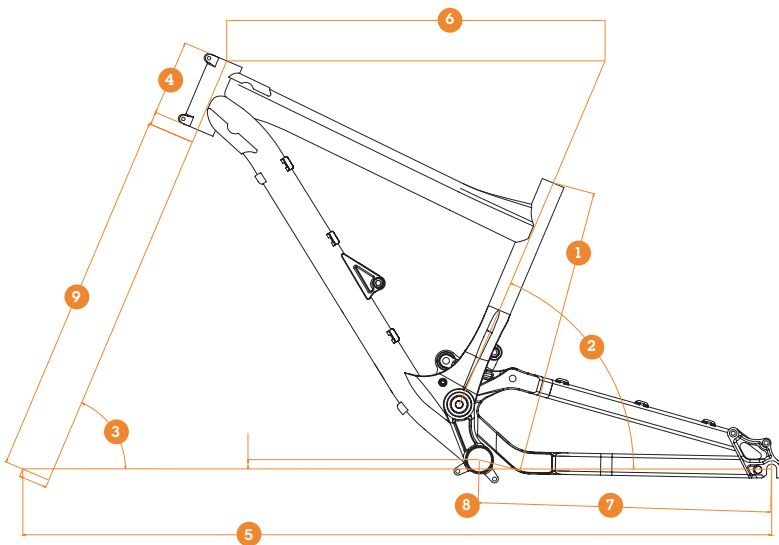
CONTACT SYSTEM ADJUSTMENT TABLE

Sag is the shock compression value when the rider sits on the bicycle at a standstill. In this case sag is expressed in a percentage value of the total travel of the rear shock. The axle-to-axle value should be obtained with the rider seated on the bicycle. Adjustment of your suspension using the

Contact System adjustment table should be done while referring to the suspension adjustment sheet delivered with your bicycle.

SUPREME	SAG %	Rear shock axle-to-axle distance	Comments
SAG optimum	25%	186mm	This adjustment will give you optimal performance in all types of terrain
SAG mini	15%	191mm	This adjustment will give you firmer suspension, suitable for rolling terrain
SAG maxi	30%	183mm	This adjustment will give you softer suspension, suitable for rougher terrain

GEO- METRY



SIZES

	S/M	L/XL
1. SEAT TUBE LENGTH	420mm	440mm
2. SEAT TUBE ANGLE	73/68°	73/68°
3. HEAD TUBE ANGLE	67 +/-1°	67 +/-1°
4. HEAD TUBE LENGTH	111mm	111mm
5. WHEEL BASE	1118mm	1143mm
6. TOP TUBE LENGTH	561mm	591mm
7. CHAIN STAY LENGTH	434mm	434mm
8. BB HEIGHT	14mm	14mm
9. FORK LENGTH	545mm	545mm

SUPREME

SIZING CHART

BIKES	HEIGHT (meters)	HEIGHT (feet/inches)
S/M	1,60 → 1,80	5'3" → 6'
L/XL	From 1,77	From 5'10"

SPECIFICATIONS

SUPREME

FRAME Updated Supreme w/
adjustable headtube

SHOCK Fox Van R

FORK FOX 36 VAN R O/B

HEADSET Tange Fatty MX2 1" 1/8

STEM New Race Face Respond
Custom

BARS Ç 2" oversize

GRIPS Ç Deluxe Lock-On

BRAKES Avid Elixir 5 203/185

SHIFTERS New Sram Trigger X7 right

**FRONT
MECH** E13 LS1

**REAR
MECH** New Sram X7

**BOTTOM
BRACKET** Truativ Howitzer

CRANKS Truativ Ruktion 36t
170mm

CHAIN KMC 9s

CASSETTE Sram PG-950 11-34

SEATPOST Race Face Ride XC

SADDLE SDG Bel Air Black/White

HUBS Ç disc 20mm/Shimano
M525

SPOKES Stainless black 64p 3x
lacing

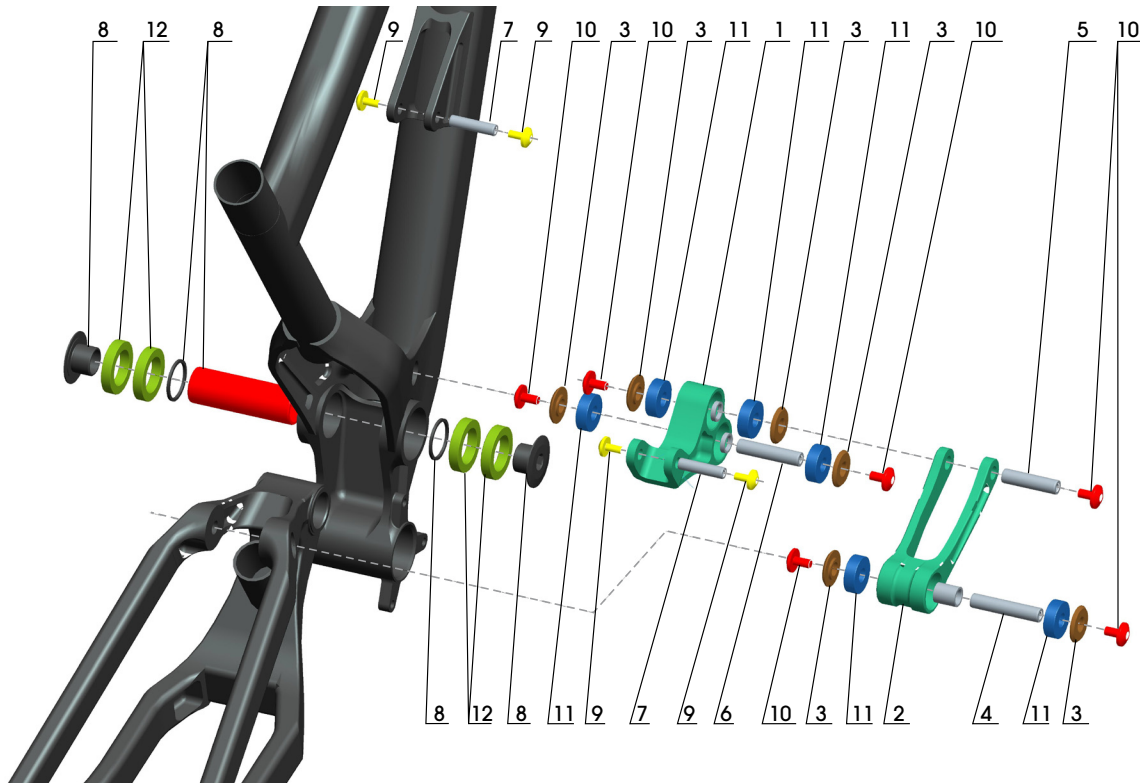
RIMS Ç By Jalco double wall
w/eyelet

TIRES Kenda Nevegal
26x2.5/2.35

COLOUR Neon Orange

SIZES S/M, L/XL

WEIGHT 16,9Kg



SUPREME / 2010

ITEM	KIT CONTENT	KIT NAME	GENCODE
1	1 x Supreme V2 rocker link	Rocker link kit for Supreme V2	900827
	4 x bearings:6000-2RS (10 x 26 x 8mm)		
	2 x Supreme Ø14 x 3mm spacer		
2	1 x Supreme V2 connecting rod	Connecting rod kit for Supreme V2	900828
	1 x Supreme connecting rod inside spacer		
	2 x bearings:6000-2RS (10 x 26 x 8mm)		
3	6 x Supreme Ø25,5 x 4mm spacers	spacer kit for all Supreme V2	900835
4	1 x Ø10 x 50,5 mm axle	complet contact system axle kit for Supreme	900882
5	1 x Ø10 x 40 mm axle		
6	1 x Ø10 x 46 mm axle		
7	1 Ø8 x 33mm axle		
8	1 x Ø25 x 75,4 mm M20 main pivot axle	Main pivot axle kit for all Supreme 09	900832
	2 x specific main pivot bolts M20		
	2 x big washers Ø25 x 1,7 mm		
9	10 x M5 sinking bolt 8 x 12 mm	M5 screws kit	10520002
10	6 x M6 sinkink bolt 8 x 12 mm	M6 screws kit	10550001
11	6 x bearings 6000-2RS (10 x 26 x 8mm)	6 bearings for contact system type Supreme	999956
12	4 x bearings:6805-2RS (25 x 37 x 7mm)	Main pivot bearings kit	046500

ADDITIONAL SPARE PARTS

KIT CONTENT	KIT NAME	GENCODE
	Right horizontal hanger for chain tensionner for	10530008
	Left horizontal hanger for chain tensionner	10530009
	Derailleur hanger 10 mm for	10530010
	Left hanger 10 mm	10530011
	Derailleur hanger 12 mm	10530012
	Left hanger 12 mm	10530013
1 axle with quick release Ø12 x 170mm	Rear wheel axle kit with quick release 12 x 181 mm	700855
	Derailleur hanger for Maxxle	10530014
	Left hanger for Maxxle	10530015
1 x Rock Shox Maxle Axle for 135mm hub	Maxle rear wheel axle for 135 mm hub	800803

EVRIOM
COMMENCAL
SUPERVELO
Ⓜ

TECHNICAL SPEC SHEET

FURIOUS

BICYCLE TYPE <i>freeride full suspension mountain bicycle</i>	HEADSET TYPE <i>headset classic 1,5 inch</i>
FRAME MATERIAL <i>aluminium Nuts ex</i>	DISC BRAKE STANDARD <i>direct post mount disc for 200mm minimum</i>
REAR SUSPENSION TRAVEL <i>180mm</i>	MAX REAR DISC ROTOR SIZE <i>203mm</i>
SHOCK LENGTH/STROKE <i>215X63,5mm</i>	SEATPOST/SEAT CLAMP DIAMETER <i>31,6mm / 34,9mm</i>
PIGGYBACK SHOCK COMPATIBLE <i>yes</i>	BOTTOM BRACKET WIDTH <i>73mm BSA</i>
SHOCK SPACER DIMENSIONS <i>22,2x8mm</i>	ISCG MOUNTS STANDARD <i>ISCG 05</i>
RECOMMENDED FORK HEIGHT/MAX HEIGHT <i>555 / 585mm</i>	FRONT MECH TYPE <i>incompatible</i>
HEADSET DIMENSION <i>1,5 inch</i>	REAR HUB COMPATIBILITY <i>135X12mm</i>

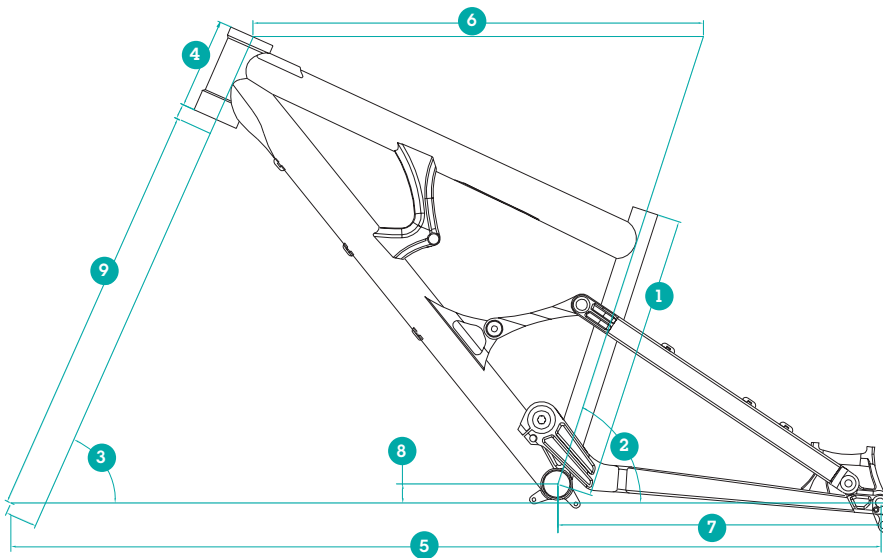
CONTACT-SYSTEM ADJUSTMENT TABLE

Sag is the shock compression value when the rider sits on the bicycle at a standstill. In this case sag is expressed in a percentage value of the total travel of the rear shock. The axle-to-axle value should be obtained with the rider seated on the bicycle. Adjustment of your suspension using the

Contact System adjustment table should be done while referring to the suspension adjustment sheet delivered with your bicycle.

FURIOUS	SAG %	Rear shock axle-to-axle distance	Comments
SAG optimum	30%	196mm	This adjustment will give you optimal performance in all types of terrain
SAG mini	20%	202mm	This adjustment will give you firmer suspension, suitable for rolling terrain
SAG maxi	35%	193mm	This adjustment will give you softer suspension, suitable for rougher terrain

GEO- METRY



SIZES

	Short	Long
1_SEAT TUBE LENGTH	380mm	380mm
2_SEAT TUBE ANGLE	72°	72°
3_HEAD TUBE ANGLE	66°	66°
4_HEAD TUBE LENGTH	120mm	120mm
5_WHEEL BASE	1128mm	1153mm
6_TOP TUBE LENGTH	570mm	595mm
7_CHAIN STAY LENGTH	428mm	428mm
8_BB HEIGHT	25mm	25mm
9_FORK LENGTH	555mm	555mm

FURIOUS

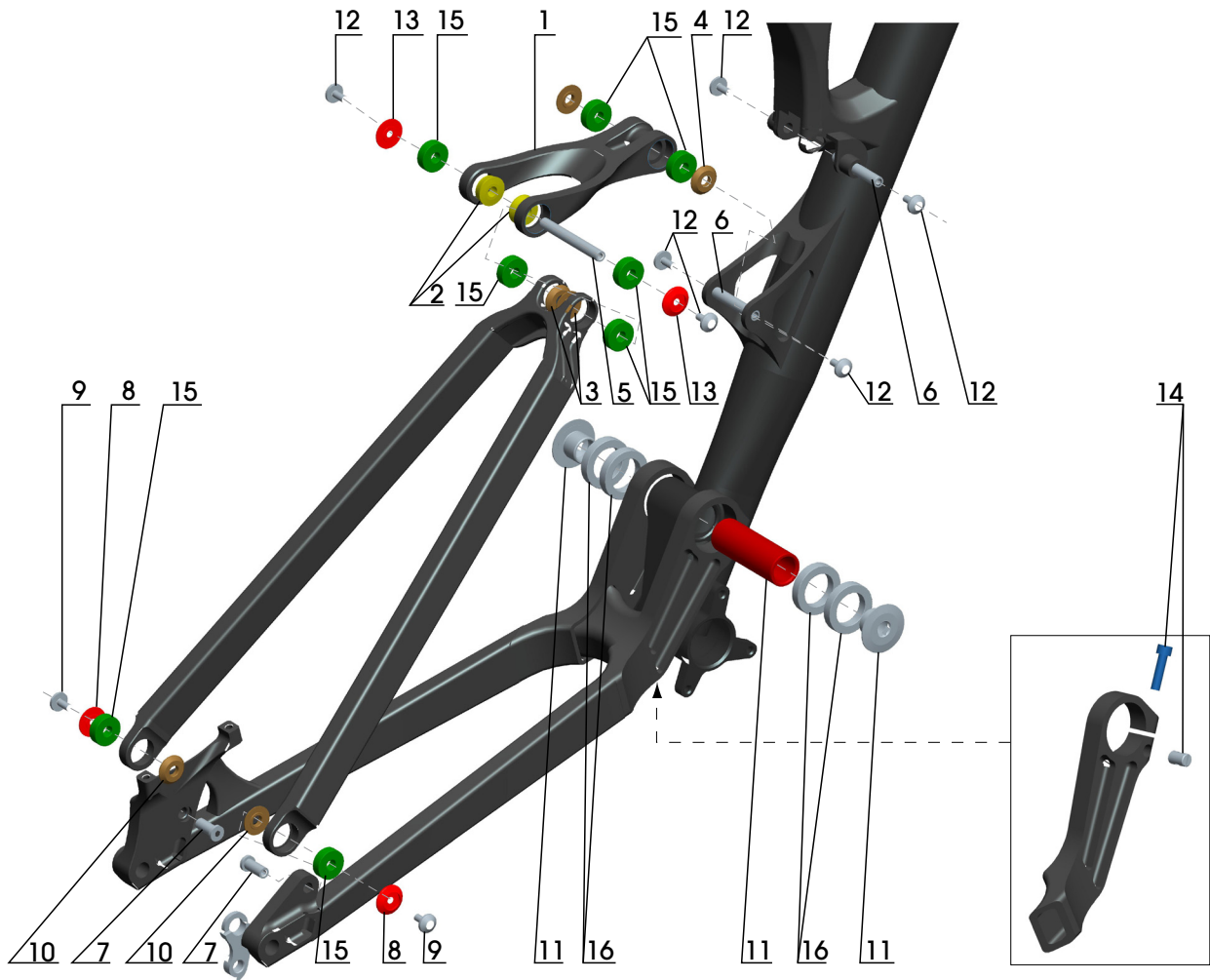
SIZING CHART

BIKES	HEIGHT (meters)	HEIGHT (feet/inches)
Short	1,60 → 1,83	5'3" → 6'
Long	From 1,80	From 5'11"

SPECIFICATIONS

FURIOUS

FRAME	Furious w/135mm OLD and 73mm BB shell	SEATPOST	Race Face Ride XC
SHOCKS	Marzo Roco Coil R w/ Piggyback	SADDLE	Ç Trail by Velo
FORK	Marzo 66 RCV 1" 1/8	HUBS	Ç disc+ sealed bearings 12mm rear/20mm front
HEADSET	FSA Big Fat Pig reducer 1.5 to 1" 1/8	SPOKES	Stainless 64p 3x lacing
STEM	Truativ Hussefelet over-size	RIMS	Sun Rims Equalizer 31
BARs	Ç 2" oversize	TIRES	White Maxxis Minion DHF 26x2.5
GRIPS	Ç Deluxe Lock-On	COLOURS	Aqua Blue
BRAKES	Avid Elixir 5 203/203	SIZES	short/long
SHIFTERS	New Sram Trigger X7 right	WEIGHT	18,1Kg
FRONT MECH	E13 LS1 W/ Taco		
REAR MECH	New Sram X7		
BOTTOM BRACKET	Truativ Howitzer		
CRANKS	Truativ Hussefelt 36t w/ howitzer interface		
CHAIN	Shimano 9s		
CASSETTE	Sram PG-950 11-34		



FURIOUS / 2010

ITEM	KIT CONTENT	KIT NAME	GENCODE
1	1 x Furious connecting rocker 2010 design	Furious connecting rocker kit 2010	15060001
	1 x Furious connecting rod inside spacer		
	4 x bearings: 608-2RS (8 x 22 x 7mm)		
2	2 x Furious Ø21,5 x 7.4mm spacers	complete spacer kit for Furious	900884
3	2 x Furious Ø19,5 x 3mm spacers		
4	2 x Furious Ø21,5 x 4mm spacers		
5	1 x Ø8 x 70mm axle	complete contact system axle for Furious	900885
6	1 x Ø8 x 51mm axle		
6	1 x Ø8 x 51mm axle		

FURIOUS

commençal BICYCLES D'OPINION
PRINCIPAT D'ANDORRA
NEG+ULTRA TUBING SERIES

FURIOUS / 2010

ITEM	KIT CONTENT	KIT NAME	GENCODE
7	2 x Ø8 x 18.5mm axle	Axle kit for Furious seat stay/ chain stay	10520006
8	2 x Ø22 x 4.2mm washers for M5 bolts		
9	2 x M5 x 12 bolts Commençal design		
10	2 x Furious Ø19,5 x 3mm spacers		
11	1 x Ø25 x 72 mm main pivot axle	Main pivot axle kit	025500
	2 x main pivot bolts		
12	10 x M5 sinking bolt 8 x 12 mm	M5 bolts KIT	10520002
13	2 x Spacers 22 x 4 mm for M5 bolt	2 Spacers for M5 bolt 22 x 4 mm	10520001
14	2 x CHC M6 x 30mm bolts	Rear triangle bearing clamp kit	800845
	2 x wedges for M6 bolts - Ø9 x 14mm		
15	8 x bearings 608-2RS (8 x 22 x 7mm)	8 bearings for Furious contact system	900858
16	4 x bearings:6805-2RS (25 x 37 x 7mm)	Main pivot bearings kit	046500

ADDITIONAL SPARE PART

	KIT CONTENT	NAME KIT	GENCODE
		Derailleur hanger for Furious 2008 to 2010	006600
	1 x Ø12 x 174mm axle	Ø12mm x 174mm rear wheel axle kit (for 135 mm rear hub)	800502
	2 x big washers for M6 bolts Ø23 x 8.5mm		
	2 x CHC M6 x 20mm		

ABOLUT
5X

2010

TECHNICAL SPEC SHEET

ABSOLUT SX

BICYCLE TYPE
slopestyle/freeride full suspension mountain bicycle

FRAME MATERIAL
aluminium nuts ex

COMMENTS
single speed compatible

REAR SUSPENSION TRAVEL
140mm

SHOCK LENGTH/STROKE
200X57mm

PIGGYBACK SHOCK COMPATIBLE?
yes

SHOCK SPACER DIMENSIONS
22,2x10mm

RECOMMENDED FORK HEIGHT/MAX HEIGHT
510/545mm

HEADSET DIMENSION
tapered 1 inch 1/8 on top and 1,5 inch lower

HEADSET TYPE
integrated headset type campa 45°X45° on top and 36°x45° lower

DISC BRAKE STANDARD
patte disc international standard

MAX REAR DISC/ROTOR SIZE
185mm

SEATPOST/SEAT CLAMP DIAMETER
31,6mm / 34,9mm

BOTTOM BRACKET WIDTH
73mm BSA

ISCG MOUNTS/STANDARD
ISCG 05

FRONT MECH TYPE
incompatible

REAR HUB COMPATIBILITY
135X10mm or 135X12mm

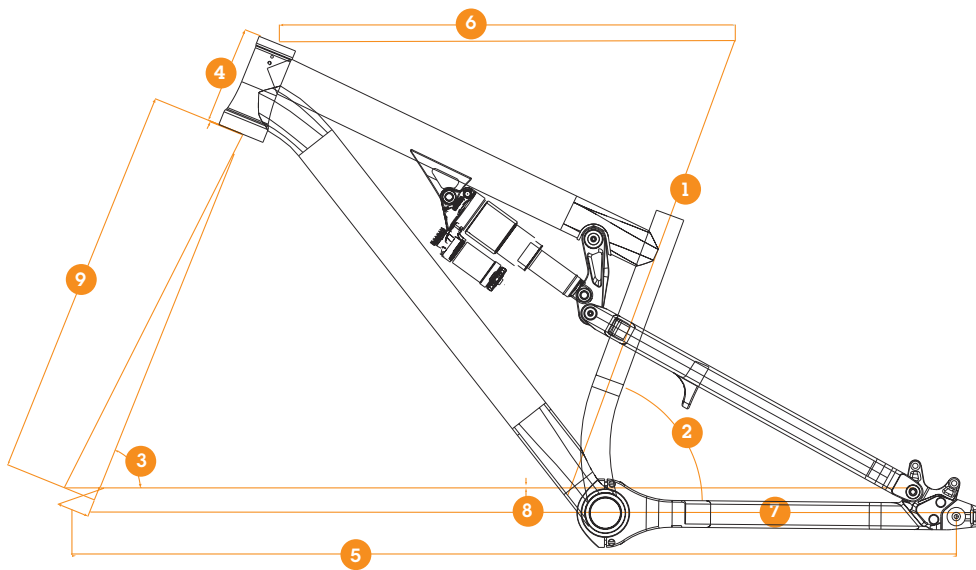
CONTACT-SYSTEM ADJUSTMENT TABLE

Sag is the shock compression value when the rider sits on the bicycle at a standstill. In this case sag is expressed in a percentage value of the total travel of the rear shock. The axle-to-axle value should be obtained with the rider seated on the bicycle. Adjustment of your suspension using the

Contact System adjustment table should be done while referring to the suspension adjustment sheet delivered with your bicycle.

ABSOLUT SX	SAG %	Rear shock axle-to-axle distance	Comments
SAG optimum	10%	194mm	This adjustment will give you optimal performance for Slopestyle
SAG mini	5%	197mm	This adjustment will give you a firmer suspension, suitable for Dirt-jump
SAG maxi	20%	188mm	This adjustment will give you softer suspension, suitable for soft downhill

GEO- METRY



SIZES

	Short	Long
1. SEAT TUBE LENGTH	365mm	365mm
2. SEAT TUBE ANGLE	71°	71°
3. HEAD TUBE ANGLE	68°	68°
4. HEAD TUBE LENGTH	116mm	120mm
5. WHEEL BASE	1084mm	1104mm
6. TOP TUBE LENGTH	530mm	550mm
7. CHAIN STAY LENGTH	420mm	420mm
8. BB HEIGHT	3mm	3mm
9. FORK LENGTH	510mm	510mm

ABSOLUT SX

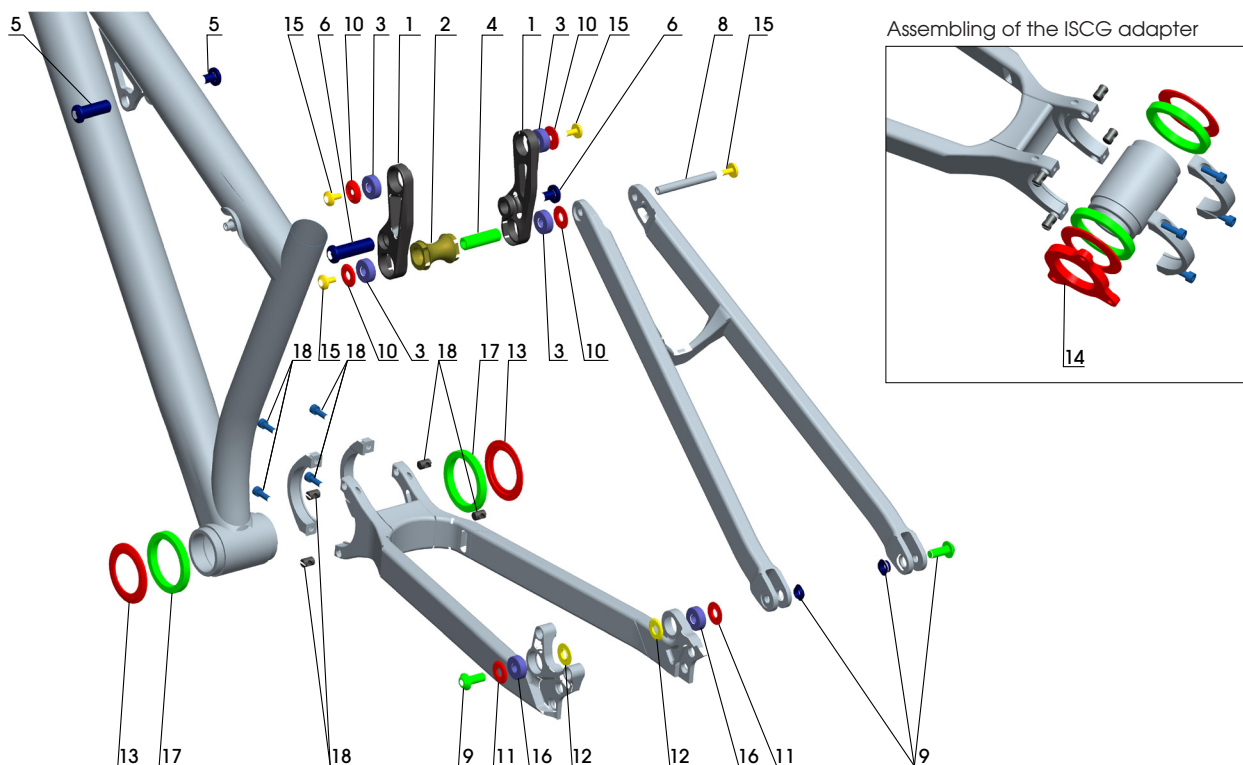
SIZING CHART

BIKES	HEIGHT (meters)	HEIGHT (feet/inches)
Short	1,55 → 1,80	5'1" → 6'
Long	From 1,78	From 5'10"

SPECIFIC- ATIONS

ABSOLUT SX

FRAME	New Absolut SX
SHOCK	Fox Float R
FORK	Rock Shox Pike 409 U-Turn
HEADSET	FSA Tapered + 1" 1/8 adaptor on the box
STEM	Race Face Respond 45mm
BARS	Ç 1.5" 6061DB Oversize
GRIPS	Ç mushroom Half Flange Lock-on
BRAKES	Avid Elixir 5 185/160
BOTTOM BRAKET	included w/crankset
CRANKS	FSA Moto X DH Mega Exo 36t
CHAIN	KMC 810
CASSETTE	16t cog
SEATPOST	Alienation Billy Club Pivotal
SADDLE	Ç pivotal
HUBS	Ç disc 20mm sealed bea- rings front/Single speed sealed bearings rear
SPOKES	Stainless 64p 3x lacing black
RIMS	Sun Rims Equalizer 31
TIRES	Maxxis High Roller 26x2.35
COLOUR	Neon Orange
SIZES	Short/Long
WEIGHT	14,1Kg



ABSOLUT SX / 2010

ITEM	KIT CONTENT	KIT NAME	GENCODE
1	1 x Absolut SX rocker link (left & right)	Complete Rocker kit for Absolut SX	10560002
2	1 Diabolo		
3	4 x bearings 608-2RS (8 x 22 x 7mm)		
4	1 Inside spacer Ø 12 x 39 mm		
5	Shock - front triangle axle: 1 axle Ø 10 x 43,5 mm, 1 bolt M6	Complete axle kit for Absolut SX	10520007
6	Shock - rocker axle: 1 axle : Ø 10 x 43,5 mm, 1 bolt M6		
7	1 rocker - front triangle axle Ø 8 mm x 51mm		
8	1 Rocker - seatstay axle, Ø 8 mm 1x Ø8 x 84mm axle		
9	2 x seatstay - chainstay axle, 2 bolt M8, 2 nuts	Complete washers kit for Absolut SX	10520008
10	4 skiny washer (seatstay - rocker) Ø 21 x 2 mm		
11	2 skiny washers (seatstay - chainstay) Ø 21 x 2 mm		
12	2 skiny washers (seatstay - chainstay) Ø 18 x 2 mm	BB Washer	10520009
13	2 BB washer Ø 57 x 3,8 mm		
14	1 ICSG 05 adapter for Absolut SX	ICSG Adapter for Absolut SX	10570001

ABSOLUT SX / 2010

ITEM	KIT CONTENT	KIT NAME	GENCODE
15	M5 x 16mm CHC bolts for Ø8mm axle Kit	complete bolt kit M5	900840
16	8 x bearings 608-2RS (8 x 22 x 7mm)	8 bearings for Furious contact system	900858
17	2 x bearings 61 809 2 RS (45 x 58 x 7 mm)	2 bearings for Absolut SX main pivot	10550002
18	2 CHC M6 x 30 bolt, 2 nut for M6 bolt Ø9x14 mm (2 needed by bike)	Rear triangle bearing clamp kit	800845

ADDITIONAL SPARE PART

	KIT CONTENT	KIT NAME	GENCODE
		Horizontal derailleur hanger	10530006
		Horizontal left hanger	10530007
		Right horizontal hanger for chain tensionner for	10530008
		Left horizontal hanger for chain tensionner	10530009
		Derailleur hanger 10 mm for	10530010
		Left hanger 10 mm	10530011
		Derailleur hanger 12 mm	10530012
		Left hanger 12 mm	10530013
1	axle with quick release Ø12 x 170mm	Rear wheel axle kit with quick release 12 x 181 mm	700855
		Derailleur hanger for Maxxle	10530014
		Left hanger for Maxxle	10530015
1	x Rock Shox Maxxle Axle for 135mm hub	Maxxle rear wheel axle for 135 mm hub	800803

ABOLUT

PRINCIPAT D'ANDORRA SUPERVÉLOS

2010

TECHNICAL SPEC SHEET

ABSOLUT

BICYCLE TYPE <i>hardtail dirt bicycle</i>	MAX REAR DISC ROTOR SIZE 160mm
FRAME MATERIAL <i>aluminium nuts</i>	SEATPOST/SEAT CLAMP DIAMETER 31,6mm / 34,9mm
COMMENTS <i>single speed compatible</i>	BOTTOM BRACKET WIDTH 68mm BSA
RECOMMENDED FORK HEIGHT/MAX HEIGHT 470 / 490mm	ISCG MOUNTS STANDARD <i>no</i>
HEADSET DIMENSION 1 inch 1/8	FRONT MECH TYPE <i>incompatible</i>
HEADSET TYPE <i>headset classic</i>	REAR HUB COMPATIBILITY 135X10mm or 135X12mm
DISC BRAKE STANDARD <i>VB bosses (Maxmax only) + disc mount international standart</i>	

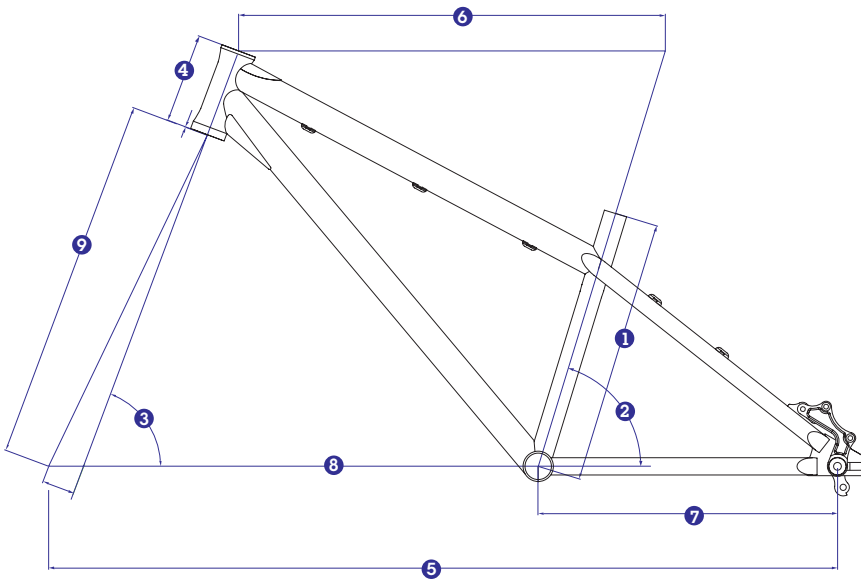
If your Commencal bicycle has front suspension, it is important to adjust it according to the type of riding you do, and your riding style.

Please refer to the suspension fork manufacturers instruction manual for adjustment instructions. This manual is delivered with your bicycle when new.



Incorrect adjustment of your suspension can result in irreparable damage to your bicycle. If in doubt, please contact your local authorized Commencal Bicycles retailer for help.

GEO- METRY



SIZES

	Short	Long
1_SEAT TUBE LENGTH	345mm	345mm
2_SEAT TUBE ANGLE	73°	73°
3_HEAD TUBE ANGLE	69°	69°
4_HEAD TUBE LENGTH	120mm	120mm
5_WHEEL BASE	1020→1050mm	1040→1070mm
6_TOP TUBE LENGTH	550mm	570mm
7_CHAIN STAY LENGTH	390→420mm	390→420mm
8_BB HEIGHT	-25mm	-25mm
9_FORK LENGTH	470mm	470mm

ABSOLUT AL 1 / ABSOLUT AL 2

SIZING CHART

BIKES	HEIGHT (meters)	HEIGHT (feet/inches)
Short	1,55 → 1,82	5'1" → 6'
Long	From 1,78	From 5'10"

SPECIFICATIONS

ABSOLUT AL 1

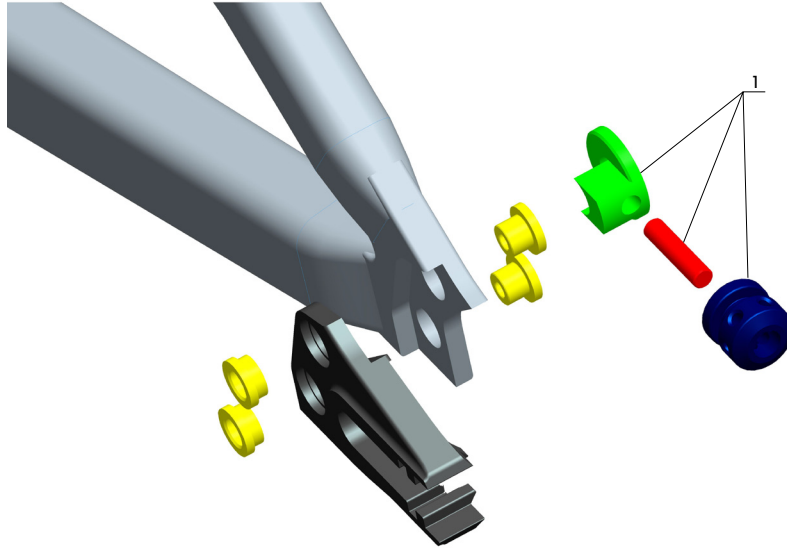
FRAME	New Absolut AL
FORK	Marzocchi DJ2 w/re-bound 100mm
HEADSET	Tange Fatty MX2 1"1/8
STEM	Gravity GAP OS oversize
BARS	Ç 2" oversize white
GRIPS	Ç Deluxe Lock-On
BRAKES	Avid Juicy 3 160/160
SHIFTERS	New Sram Trigger X7 9s right
FRONT MECH	E13 LS1
REAR MECH	New Sram X7
CRANKS	FSA MotoX Dh 36t Mega Exo
CHAIN	Shimano 9s
CASSETTE	Sram PG-950 11-28
SEATPOST	Alienation Billy Club Pivotal
SADDLE	Ç pivotal
HUBS	Ç disc front + Ç disc 8/9 speed rear. Nuted.
SPOKES	Stainless 64p 3x lacing black
RIMS	Alienation black sheep Ano blue
TIRES	Kenda K-Rad 2.3
COLOUR	White
SIZES	short/long
WEIGHT	14Kg

ABSOLUT AL 2

FRAME	New Absolut AL
FORK	Marzocchi DJ3 100mm
HEADSET	Tange Fatty MX2 1"1/8
STEM	Race Face Ride XC
BARS	Ç 2" oversize white
GRIPS	Ç Kraton
BRAKES	Avid BB5 160/160
SHIFTERS	Sram trigger X5 8s right
FRONT MECH	E13 LS1
REAR MECH	Sram X5
BOTTOM BRACKET	Truvativ Howitzer
CRANKS	Truvativ Ruktion w/howitzer interface
CHAIN	KMC 8s
CASSETTE	SRAM PG 830 8s 11-28
SEATPOST	Alienation Billy Club Pivotal
SADDLE	Ç pivotal
HUBS	Ç disc front + Ç disc 8/9 speed rear. Nuted.
SPOKES	Stainless 64p 3x lacing ED blue
RIMS	Double wall white w/ eyelets
TIRES	Kenda K-Rad 2.3
COLOUR	Blue
SIZES	short/long
WEIGHT	14,7Kg

MAXMAX

FRAME	New Absolut AL
FORK	New Ç Hiten Steel 1"1/8
HEADSET	Tange Fatty MX2 1"1/8
STEM	New Ç FR 50mm oversize
BARS	Ç 6061-2" oversize
GRIPS	Ç Kraton
BRAKES	Ç V-brakes
BOTTOM BRACKET	Truvativ Howitzer
CRANKS	Truvativ Ruktion
CHAIN	KMC
CASSETTE	None (Kit Singlespeed)
SEATPOST	Ç Hiten Steel Black
SADDLE	Ç Trail by Velo
HUBS	Ç disc front + Ç disc 8/9 speed rear. Nuted
SPOKES	Stainless steel 72p 3x lacing
RIMS	Alex Rims DM18 26"
TIRES	Kenda K-rad 26x2.3
COLOUR	Neon Purple
SIZES	short/long
WEIGHT	13,3Kg



ALL MAXMAX & ABSOLUT AL / 2010

ITEM	KIT CONTENT	KIT NAME	GENCODE
1	2 x tensionner, 2 x roller, 2 x thread stem M5 x 22 mm (Compatible with all Absolut/Ramones/Supreme)	2010 Chain tensioner kit	10570002

ADITIONAL SPARE PART

KIT CONTENT	NAME KIT	GENCODE
	Horizontal derailleur hanger	10530006
	Horizontal left hanger	10530007
	Right horizontal hanger for chain tensionner for	10530008
	Left horizontal hanger for chain tensionner	10530009
	Derailleur hanger 10 mm for	10530010
	Left hanger 10 mm	10530011
	Derailleur hanger 12 mm	10530012
	Left hanger 12 mm	10530013
1 axle with quick release Ø12 x 170mm	Rear wheel axle kit with quick release 12 x 181 mm	700855
	Derailleur hanger for Maxxle	10530014
	Left hanger for Maxxle	10530015
1 x Rock Shox Maxxle Axle for 135mm hub	Maxxle rear wheel axle for 135 mm hub	800803

ABOLUT
PRINCIPAT D'ANDORRA SUPERVÉLOS

2010

TECHNICAL SPEC SHEET

ABSOLUT CROMO / MAXMAX CROMO

BICYCLE TYPE <i>hardtail dirt bicycle</i>	DISC BRAKE STANDARD <i>disc mount international standart</i>
FRAME MATERIAL <i>steel crommo 4130</i>	MAX REAR DISC ROTOR SIZE <i>160mm</i>
COMMENTS <i>single speed compatible</i>	SEATPOST/SEAT CLAMP DIAMETER <i>27,2mm / 29,8mm</i>
RECOMMENDED FORK HEIGHT/MAX HEIGHT <i>450 / 470mm</i>	BOTTOM BRACKET WIDTH <i>spanish BB</i>
HEADSET DIMENSION <i>1 inch 1/8</i>	ISCG MOUNTS STANDARD <i>no</i>
HEADSET TYPE <i>integrated headset type campa 45°x45°</i>	FRONT MECH TYPE <i>incompatible</i>
	REAR HUB COMPATIBILITY <i>135X10mm with screwing axle</i>

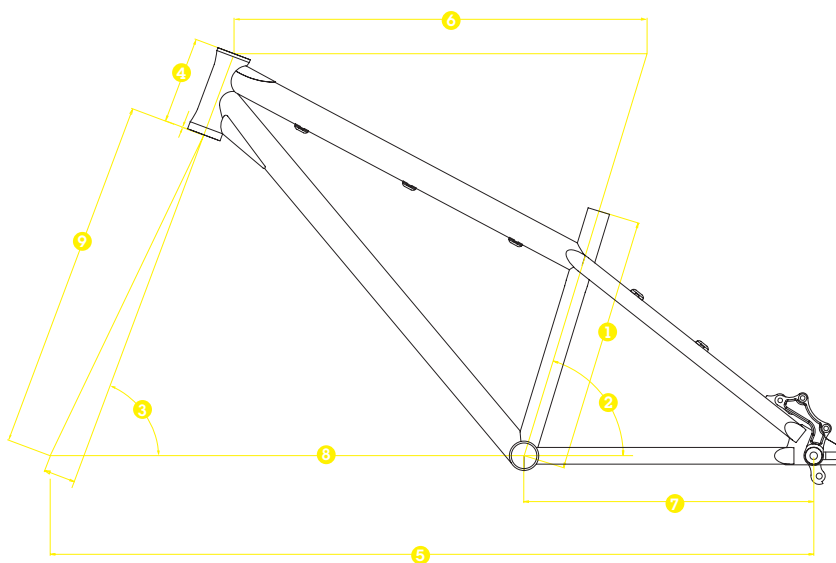
If your Commencal bicycle has front suspension, it is important to adjust it according to the type of riding you do, and your riding style.

Please refer to the suspension fork manufacturers instruction manual for adjustment instructions. This manual is delivered with your bicycle when new.



Incorrect adjustment of your suspension can result in irreparable damage to your bicycle. If in doubt, please contact your local authorized Commencal Bicycles retailer for help.

GEO- METRY



SIZES

	SHORT	LONG
1. SEAT TUBE LENGTH	320mm	320mm
2. SEAT TUBE ANGLE	73°	73°
3. HEAD TUBE ANGLE	69,5°	69,5°
4. HEAD TUBE LENGTH	115mm	115mm
5. WHEEL BASE	1011→1041mm	1034→1064mm
6. TOP TUBE LENGTH	550mm	570mm
7. CHAIN STAY LENGTH	385→410mm	385→410mm
8. BB HEIGHT	-12mm	-12mm
9. FORK LENGTH	470mm	470mm

ABSOLUT CROMO / ABSOLUT CROMO CG

SIZING CHART

BIKES	HEIGHT (meters)	HEIGHT (feet/inches)
Short	1,53→1,80	5' → 6'
Long	From 1,76	From 5'9"

TECHNICAL SPEC SHEET

ABSOLUT CROMO CG

BICYCLE TYPE <i>hardtail dirt bicycle</i>	MAX REAR DISC ROTOR SIZE <i>160mm</i>
FRAME MATERIAL <i>steel cromo</i>	SEATPOST/SEAT CLAMP DIAMETER <i>27,2mm / 29,8mm</i>
COMMENTS <i>single speed compatible</i>	BOTTOM BRACKET WIDTH <i>68mm BSA</i>
RECOMMENDED FORK HEIGHT/MAX HEIGHT <i>450 / 470mm</i>	ISCG MOUNTS STANDARD <i>no</i>
HEADSET DIMENSION <i>1 inch 1/8</i>	FRONT MECH TYPE <i>incompatible</i>
HEADSET TYPE <i>integrated headset type campa 45°X45°</i>	REAR HUB COMPATIBILITY <i>135X10mm with screwing axle</i>
DISC BRAKE STANDARD <i>VB bosses Maxmax cromo only + disc mount SI</i>	

If your Commencal bicycle has front suspension, it is important to adjust it according to the type of riding you do, and your riding style.

Please refer to the suspension fork manufacturers instruction manual for adjustment instructions. This manual is delivered with your bicycle when new.



Incorrect adjustment of your suspension can result in irreparable damage to your bicycle. If in doubt, please contact your local authorized Commencal Bicycles retailer for help.

SPECIFICATIONS

ABSOLUT CROMO

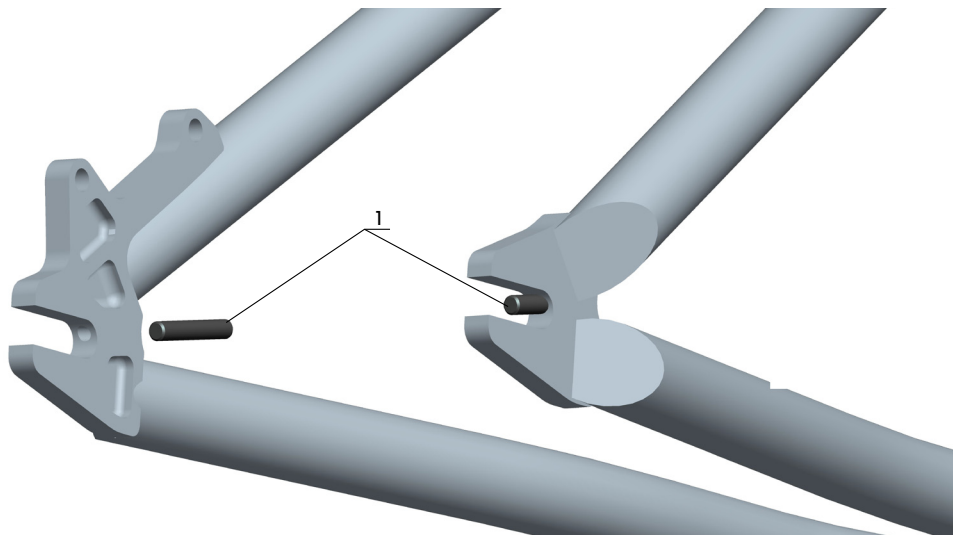
FRAME	New CrMo 4130
FORK	Marzo DJ2 w/Rebound 80mm 20mm axle
HEADSET	integrated Campy standard
STEM	Gravity GAP OS oversize
BARS	Ç 2" oversize white
GRIPS	Ç Deluxe Lock-On
BRAKES	Avid BB5 front/Juicy 3 rear 160/160
BOTTOM BRACKET	Ç Spanish BB 19mm 48 splines Sealed Bearings
CRANKS	Cromoly 4130
CHAIN	KMC K 710 BMX
CASSETTE	13t cog on cassette hub
SEATPOST	Alienation Billy Club Pivotal
SADDLE	Ç pivotal
HUBS	Ç disc 20mm sealed bearing 32h +single sealed bearing w/cassette rear
SPOKES	Stainless 64p 3x lacing black
RIMS	Sun Ringlé white
TIRES	Kenda Kinjption 26x 2.35
COLOUR	Yellow
SIZES	short/long
WEIGHT	13,7Kg

ABSOLUT CG CROMO

FRAME	New Absolut Crmo
FORK	Marzocchi DJ3 80mm
HEADSET	Integrated Campy style
STEM	Race Face Ride XC
BARS	Ç 2" oversize white
GRIPS	Ç Kraton
BRAKES	Avid BB5 160/160
CRANKS	3 piece Cromo
CHAIN	YBN BMX White
CASSETTE	None (Kit Singlespeed)
SEATPOST	Ç pivotal alloy
SADDLE	Ç pivotal
HUBS	Ç disc front + Ç disc 8/9 speed rear. Nuted.
SPOKES	Stainless steel 72p 3x lacing
RIMS	Double wall white w/ eyelets
TIRES	Kenda K-Rad 2.3
COLOUR	Neon Green
SIZES	short/long
WEIGHT	/

MAXMAX CROMO

FRAME	New Absolut Crmo
FORK	New Ç Hiten Steel 1" 1/8
HEADSET	Integrated Campy style
STEM	New Ç FR 50mm oversize
BARS	Ç 6061-2" oversize
GRIPS	Ç Kraton
BRAKES	Ç V-brakes
CRANKS	3 piece Cromo
CHAINED	KMC
CASSETTE	None (Kit Singlespeed)
SEATPOST	Ç FR Cromo
SADDLE	Ç Trail by Velo
HUBS	Ç disc front + Ç disc 8/9 speed rear. Nuted.
SPOKES	Stainless steel 72p 3x lacing
RIMS	Alex Rims DM18 26"
TIRES	Kenda K-rad 26x2.3
COLOUR	Neon red
SIZES	short/long
WEIGHT	14Kg



ABSOLUT CROMO / 2010

ITEM	KIT CONTENT	KIT NAME	GENCODE
1	2 thread stick (Compatible with all Absolut Crmo and Street Titanium frame)	Chain tensioner kit for 2010 Absolut Crmo/Ti frames	10570015

RAMONES
SUPERIEOS PRINCEPI DANDORRA

2010

TECHNICAL SPEC SHEET

RAMONES

BICYCLE TYPE <i>hardtail enduro/dirt bicycle</i>	MAX REAR DISC ROTOR SIZE <i>185mm</i>
FRAME MATERIAL <i>aluminium Nuts</i>	SEATPOST/SEAT CLAMP DIAMETER <i>31,6mm/34,9mm</i>
COMMENTS <i>single speed compatible</i>	BOTTOM BRACKET WIDTH <i>68mm BSA</i>
RECOMMENDED FORK HEIGHT/MAX HEIGHT <i>510/535mm</i>	ISCG MOUNTS STANDARD <i>no</i>
HEADSET DIMENSION <i>1 inch 1/8</i>	FRONT MECH TYPE <i>down swing 31,8/down pull</i>
HEADSET TYPE <i>headset classic</i>	REAR HUB COMPATIBILITY <i>135mmX10mm or 135mmX12mm</i>
DISC BRAKE STANDARD <i>disc mount standard international</i>	

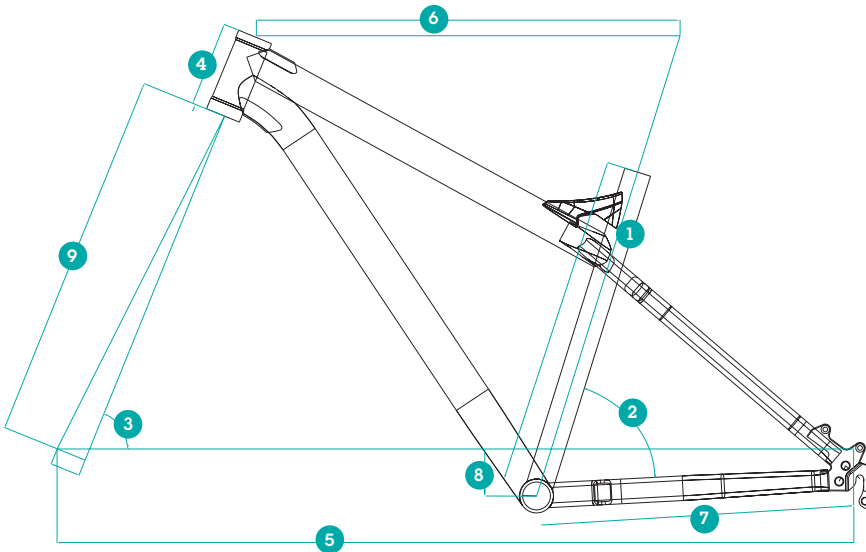
If your Commencal bicycle has front suspension, it is important to adjust it according to the type of riding you do, and your riding style.

Please refer to the suspension fork manufacturers instruction manual for adjustment instructions. This manual is delivered with your bicycle when new.



Incorrect adjustment of your suspension can result in irreparable damage to your bicycle. If in doubt, please contact your local authorized Commencal Bicycles retailer for help.

GEO- METRY



SIZES

	S	M	L	XL
1_SEAT TUBE LENGTH	400mm	440mm	490mm	520mm
2_SEAT TUBE ANGLE	72°	72°	72°	72°
3_HEAD TUBE ANGLE	67°	67°	67°	67°
4_HEAD TUBE LENGTH	100mm	110mm	120mm	130mm
5_WHEEL BASE	1048mm	1063mm	1079mm	1095mm
6_TOP TUBE LENGTH	552mm	570mm	588mm	606mm
7_CHAIN STAY LENGTH	420mm	420mm	420mm	420mm
8_BB HEIGHT	-25mm	-25mm	-25mm	-25mm
9_FORK LENGTH	510mm	510mm	510mm	510mm

RAMONES

SIZING CHART

BIKES	HEIGHT (meters)	HEIGHT (feet/inches)	MAX INSIDE LEG (cm)	MAX INSIDE LEG (inches)
S	1,53 → 1,70	5' → 5'6"	74,3	29,3
M	1,70 → 1,78	5'6" → 5'10"	81,8	32,2
L	1,78 → 1,88	5'10" → 6'2"	91,1	35,9
XL	From 1,88	From 6'2"	96,7	38,1

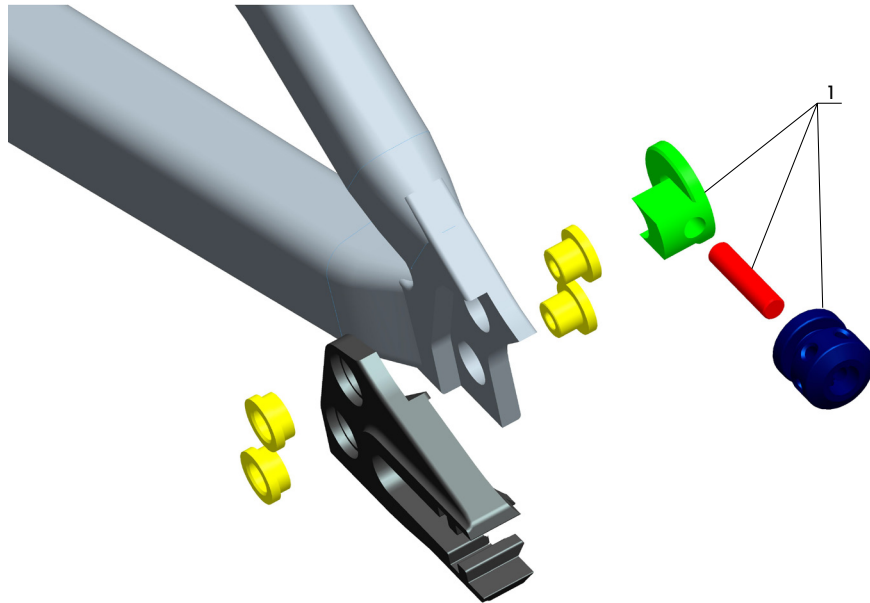
SPECIFICATIONS

RAMONES 1

FRAME	New Ramones LT hardtail frame
FORK	Rock Shox Recon 327 U-Turn 140mm 20mm Maxle
HEADSET	Tange Fatty MX2
STEM	Race Face Evolve AM
BARS	Ç 2" 6061DB oversize
GRIPS	Ç Lock-on
BRAKES	Avid Juicy 3 185/160
SHIFTERS	Shimano Deore
FRONT MECH	Shimano Deore
REAR MECH	Shimano XT Shadow
CRANKS	Race Face Evolve 24/36 bash
CHAIN	Shimano HG
CASSETTE	Sram PG 950 9s 11-34
SEATPOST	Race Face Evolve
SADDLE	SDG Bel Air white/black
HUBS	Ç 20mm sealed bearings/ Shimano Deore M525L
SPOKES	Stainless 64p 3x lacing black
RIMS	Mavic EN 321 disc
TIRES	Maxxis High Roller 26x2,35
COLOUR	Blue
SIZES	S, M, L
WEIGHT	13,8Kg

RAMONES 2

FRAME	New Ramones LT hardtail frame
FORK	Rock Shox Tora 289 U-turn 130mm
HEADSET	Tange Fatty MX2
STEM	Race Face Ride XC
BARS	Ç 2" 6061DB oversize
GRIPS	Ç Kraton black
BRAKES	Avid Juicy 3 185/160
SHIFTERS	Shimano Deore
FRONT MECH	Shimano Deore
REAR MECH	Shimano SLX shadow
BOTTOM BRACKET	Truvativ Powerspline
CRANKS	Truvativ Blaze 2.0 24/36 w/rockguard
CHAIN	KMC 9s
CASSETTE	Sram PG 950 9s 11-34
SEATPOST	Race Face Ride
SADDLE	SDG Bel Air white/black
HUBS	Ç disc brakes
SPOKES	Stainless 64p 3x lacing black
RIMS	Jaico double wall for Ç
TIRES	Geax Sturdy 26x2,25/ Saguaro 26x2.2
COLOUR	Blue
SIZES	S, M, L
WEIGHT	13,8Kg



RAMONES / 2010

ITEM	KIT CONTENT	KIT NAME	GENCODE
1	2 x tensioner, 2 x roller, 2 x thread stem M5 x 22 mm (Compatible with all Absolut/Ramones/Supreme)	2010 Chain tensioner kit	10570002

ADITIONAL SPARE PART

KIT CONTENT	NAME KIT	GENCODE
	Horizontal derailleur hanger	10530006
	Horizontal left hanger	10530007
	Right horizontal hanger for chain tensionner for	10530008
	Left horizontal hanger for chain tensionner	10530009
	Derailleur hanger 10 mm for	10530010
	Left hanger 10 mm	10530011
	Derailleur hanger 12 mm	10530012
	Left hanger 12 mm	10530013
1 axle with quick release Ø12 x 170mm	Rear wheel axle kit with quick release 12 x 181 mm	700855
	Derailleur hanger for Maxxle	10530014
	Left hanger for Maxxle	10530015
1 x Rock Shox Maxxle Axle for 135mm hub	Maxxle rear wheel axle for 135 mm hub	800803
1x BB cable guide YF-023	Bottom bracket cable guide	900842



2010

TECHNICAL SPEC SHEET

META 6

BICYCLE TYPE <i>enduro full suspension mountain bicycle</i>	HEADSET TYPE <i>headset classic</i>
FRAME MATERIAL <i>aluminium Nuts SL (rear swingarm carbon on FFS and VIP)</i>	DISC BRAKE STANDARD <i>disc mount international standart</i>
REAR SUSPENSION TRAVEL <i>152mm</i>	MAX REAR DISC/ROTOR SIZE <i>185mm</i>
SHOCK LENGTH/STROKE <i>200X57mm</i>	SEATPOST/SEAT CLAMP DIAMETER <i>31,6mm / 34,9mm</i>
PIGGYBACK SHOCK COMPATIBLE? <i>no</i>	BOTTOM BRACKET WIDTH <i>68mm BSA</i>
SHOCK SPACER DIMENSIONS <i>22,2x8mm</i>	ISCG MOUNTS/STANDARD <i>ISCG 05</i>
RECOMMENDED FORK HEIGHT/MAX HEIGHT <i>545 / 545mm</i>	FRONT MECH TYPE <i>down swing 31,8 mm / down pull</i>
HEADSET DIMENSION <i>1 inch 1/8</i>	REAR HUB COMPATIBILITY <i>135mmX10mm or 135mmX12mm</i>

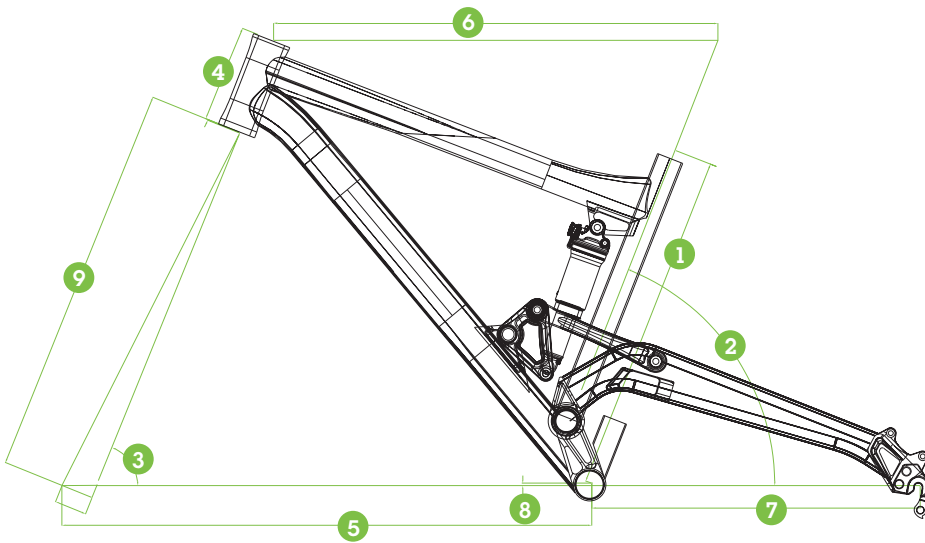
CONTACT SYSTEM ADJUSTMENT TABLE

Sag is the shock compression value when the rider sits on the bicycle at a standstill. In this case sag is expressed in a percentage value of the total travel of the rear shock. The axle-to-axle value should be obtained with the rider seated on the bicycle. Adjustment of your suspension using the

Contact System adjustment table should be done while referring to the suspension adjustment sheet delivered with your bicycle.

META 6	SAG %	Rear shock axle-to-axle distance	Comments
SAG optimum	20%	188mm	This adjustment will give you optimal performance in all types of terrain
SAG mini	14%	192mm	This adjustment will give you firmer suspension, suitable for rolling terrain
SAG maxi	25%	186mm	This adjustment will give you softer suspension, suitable for rougher terrain

GEO- METRY



SIZES

	S	M	L	XL
1_SEAT TUBE LENGTH	410mm	450mm	500mm	530mm
2_SEAT TUBE ANGLE	68,5°	68,5°	69°	69°
3_HEAD TUBE ANGLE	67,5 0°+/-1°	67,5 0°+/-1°	67,5 0°+/-0,5°	67,5 0°+/-0,5°
4_HEAD TUBE LENGTH	111mm	111mm	126mm	126mm
5_WHEEL BASE	1082mm	1006,5mm	1132mm	1160mm
6_TOP TUBE LENGTH	548mm	572mm	593mm	614mm
7_CHAIN STAY LENGTH	424mm	424mm	424mm	424mm
8_BB HEIGHT	8mm	8mm	8mm	8mm
9_FORK LENGTH	535mm	535mm	535mm	535mm

META 6

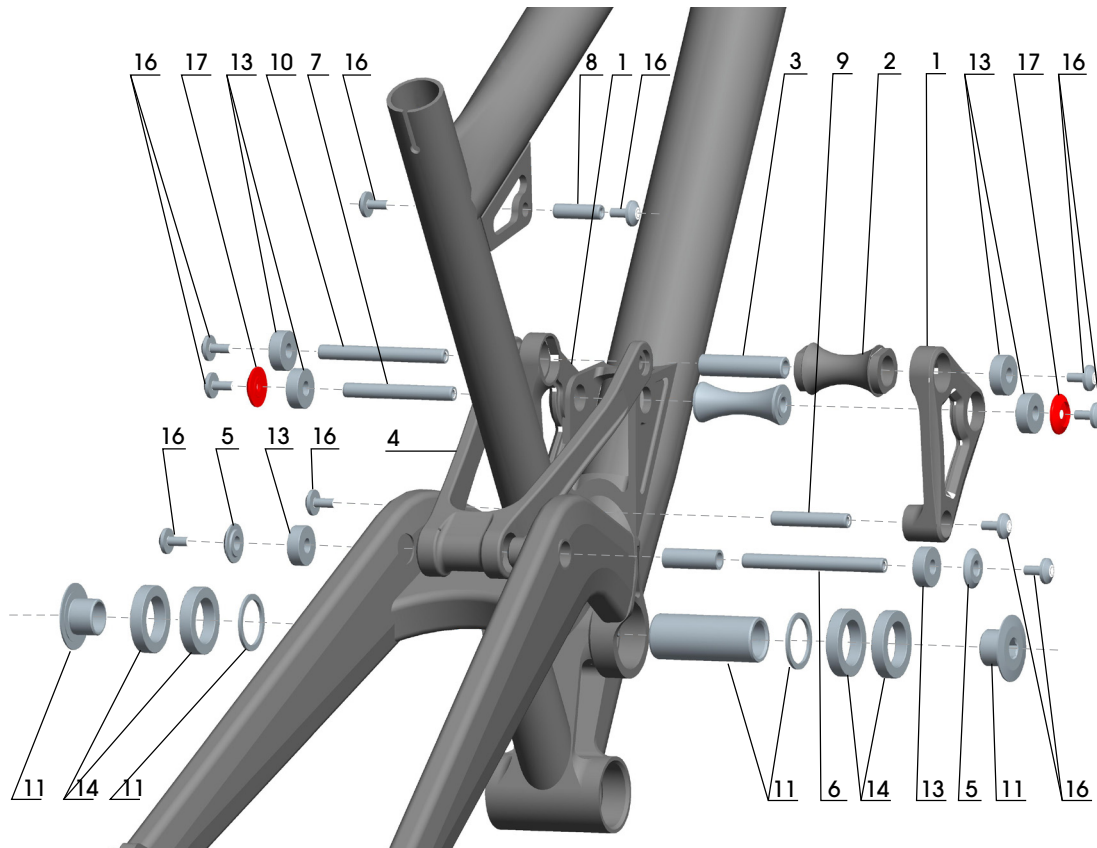
SIZE CHART

BIKES	HEIGHT (meters)	HEIGHT (feet/inches)	MAX INSIDE LEG (cm)	MAX INSIDE LEG (inches)
S	1,53m → 1,68m	5' → 5'6"	74,3	29,3
M	1,68m → 1,78m	5'6" → 5'10"	83,6	32,9
L	1,78m → 1,88m	5'10" → 6'2"	92,9	36,6
XL	From 1,88m	From 6'2"	98,5	38,8

SPECIFIC- ATIONS

META 6

FRAME	Updated META 6 160mm frame new front/ updated swingarm
SHOCKS	Fox float RP23 high volume
FORK	Fox 36 Talas RC2
STEM	Race Face Deux XC oversize
BARS	Ç 1.5'' 7050 DB oversize
GRIPS	Ç Kraton Lock-on
BRAKES	Formula oro K24 180/180
SHIFTERS	Sram Trigger X9 3x9
FRONT MECH	Shimano XT
REAR MECH	Sram X0
CRANKS	Race Face Deux XC 36x24 + Bashguard
SEATPOST	Crank brothers Joplin R W/Remote
SADDLE	SDG Formula FXR Team
HUBS	Ç superlight sealed 20mm Disc brake ringle jumping flea 12mm rear
RIMS	Sun Ringle Equalizer 27 disc welded
TIRES	Maxxis High Roller 26x2.35
COLOUR	Team Neon Green
SIZES	S, M, L, XL
WEIGHT	15,1kg



META 6 / 2010

ITEM	KIT CONTENT	KIT NAME	REFERENCE
1	1 x 2009 Meta 6 rocker link (left & right)	complete Rockeur kit for Meta 6 (not compatible with 2008 Meta 6)	900881
	4 x bearings:608-2RS (8 x 22 x 7mm)		
2	1 x 2009 Meta & SUPER 4 diabolo 50 mm spacer		
3	1 x 2009 Meta & SUPER 4 Ø11,2 x 50mm spacer		
4	1 x 2009 Meta 6 connecting rod	2009 Meta 666 Connecting rod Kit	900826
	1 Meta connecting rod inside spacer		
	2 bearings:608-2RS (8 x 22 x 7mm)		
5	2 x Meta Ø21.6x4mm spacer	Meta rear triangle/connecting rod spacer kit	041500
6	1x Ø8 x 84mm axle	complete contact system axle kit for all Meta 4/55/6/4X	900879
7	1 x Ø8 x 65mm axle		
8	1 x Ø8 x 29.5 mm axle		
9	1 x Ø8 x 45mm axle		
10	1 x Ø8 x 75mm axle		
11	1 x Ø25 x 72 mm main pivot axle	Main pivot axle kit for banana arm	900848
	2 x main pivot bolts		
	2 x big washers Ø25 x 1,5 mm		



META 6 / 2010

ITEM	KIT CONTENT	KIT NAME	GENCODE
10	10 x M5 sinking bolt 8 x 12 mm	M5 bolts kit	10520002
14	6 x bearings : 608-2RS (8 x 22 x 7mm)	6 bearings for Meta contact system type	900841
15	4 x bearings: 6805-2RS (25 x 37 x 7mm)	Main pivot bearings kit	046500
17	2 Spacers for M5 bolt 22 x 4 mm	2 Spacers for M5 bolt 22 x 4 mm	10520001

ADDITIONAL SPARE PARTS

KIT CONTENT	NAME KIT	GENCODE
	Derailleur hanger for 10 mm axle for all 2010 Meta	900802
	Left hanger 10 mm for all 2010 Meta	10530001
	Derailleur hanger 12 mm for all 2010 Meta	10530002
	Left hanger 12 mm for all 2010 Meta	10530003
1 axle with quick release Ø12 x 170mm	Rear wheel axle kit with quick release 12 x 181 mm	700855
	Derailleur hanger for Maxxle for all 2010 Meta	10530004
	Left hanger for Maxxle for all 2010 Meta	10530005
1 x Rock Shox Maxxle Axle for 135mm hub	Maxxle rear wheel axle for 135 mm hub	800803
1x BB cable guide YF-023	Bottom bracket cable guide	900842



2010

TECHNICAL SPEC SHEET

META 55 CARBON

BICYCLE TYPE <i>marathon/enduro full suspension moutain bicycle</i>	HEADSET TYPE <i>integrated headset type campa 45°X45°</i>
FRAME MATERIAL <i>Nuts carbon</i>	DISC BRAKE STANDARD <i>disc mount international standart</i>
REAR SUSPENSION TRAVEL <i>140mm</i>	MAX REAR DISC/ROTOR SIZE <i>185mm</i>
SHOCK LENGTH/STROKE <i>200X51mm</i>	SEATPOST/SEAT CLAMP DIAMETER <i>30,9mm/34,9mm</i>
PIGGYBACK SHOCK COMPATIBLE ? <i>no</i>	BOTTOM BRACKET WIDTH <i>68mm BSA</i>
SHOCK SPACER DIMENSIONS <i>22,2x8mm</i>	ISCG MOUNTS/STANDARD <i>no</i>
RECOMMENDED FORK HEIGHT/MAX HEIGHT <i>510 / 535mm</i>	FRONT MECH TYPE <i>down swing 31,8 mm /down pull</i>
HEADSET DIMENSION <i>1 inch 1/8</i>	REAR HUB COMPATIBILITY <i>135mmX10mm or 135mmX12mm</i>

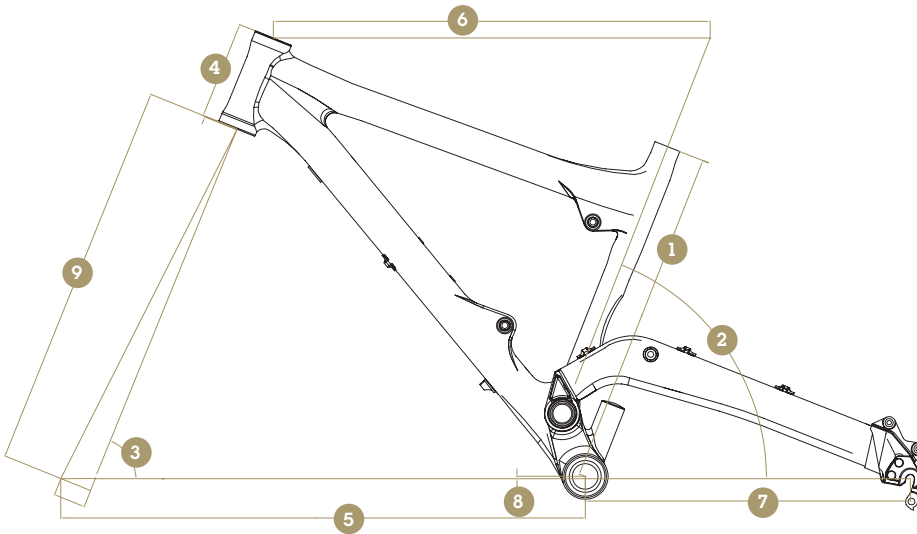
CONTACT SYSTEM ADJUSTMENT TABLE

Sag is the shock compression value when the rider sits on the bicycle at a standstill. In this case sag is expressed in a percentage value of the total travel of the rear shock. The axle-to-axle value should be obtained with the rider seated on the bicycle. Adjustment of your suspension using the

Contact System adjustment table should be done while referring to the suspension adjustment sheet delivered with your bicycle.

META 5	SAG %	Rear shock axle-to-axle distance	Comments
SAG optimum	20%	190mm	This adjustment will give you optimal performance in all types of terrain
SAG mini	12%	194mm	This adjustment will give you firmer suspension, suitable for rolling terrain
SAG maxi	25%	187mm	This adjustment will give you softer suspension, suitable for rougher terrain

GEO- METRY



SIZES

	S	M	L
1_SEAT TUBE LENGTH	410mm	440mm	490mm
2_SEAT TUBE ANGLE	68,5°	68,5°	68,5°
3_HEAD TUBE ANGLE	68°	68°	68°
4_HEAD TUBE LENGTH	115mm	125mm	135mm
5_WHEEL BASE	1085mm	1105mm	1130mm
6_TOP TUBE LENGTH	547mm	571,5mm	593mm
7_CHAIN STAY LENGTH	425mm	425mm	425mm
8_BB HEIGHT	3mm	3mm	3mm
9_FORK LENGTH	510mm	510mm	510mm

META 55 CARBON

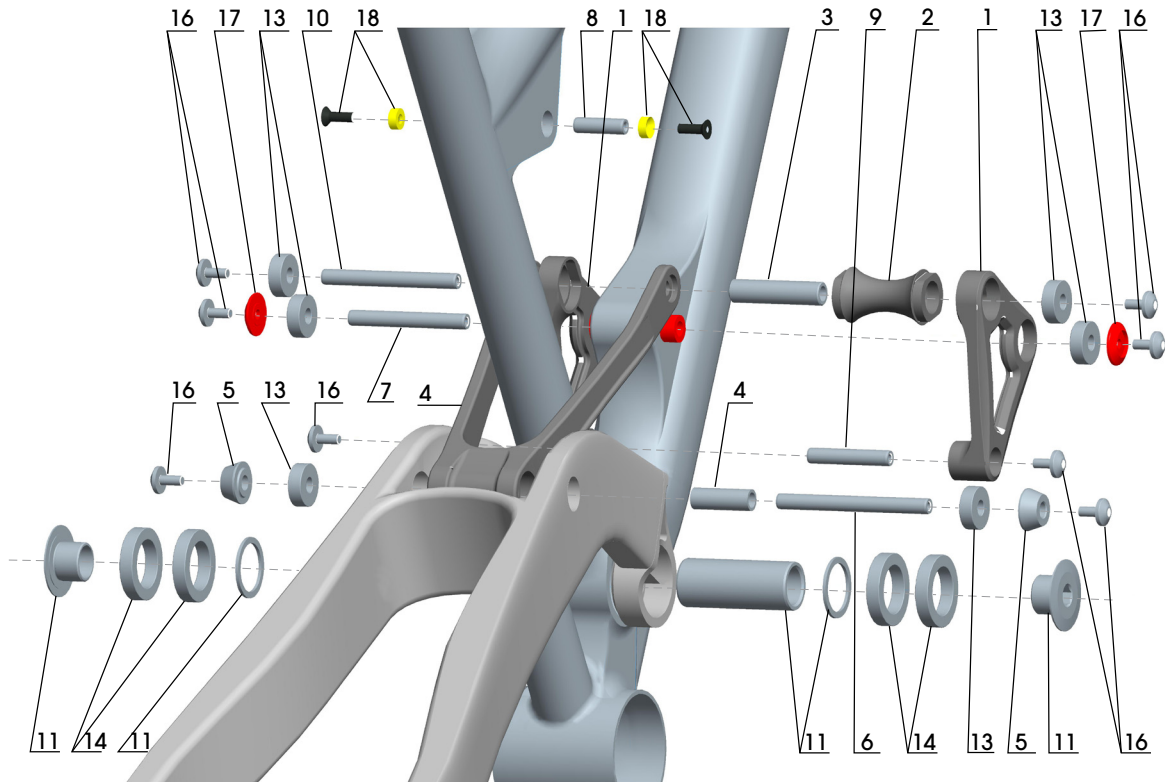
SIZING CHART

BIKES	HEIGHT (meters)	HEIGHT (feet/inches)	MAX INSIDE LEG (cm)	MAX INSIDE LEG (inches)
S	1,53 → 1,68	5' → 5'6"	76,2	30
M	1,68 → 1,78	5'6" → 5'10"	81,8	32,2
L	1,78 → 1,88	5'10" → 6'2"	91,1	35,9

SPECIFICATIONS

META 55 CARBON

FRAME	New Meta 55 Carbon
SHOCKS	Fox RP23 XV w/ boost valve
FORK	Fox 32 Float 140 RL fit 15QR
HEADSET	Tange Integrated. Campy standard 1" 1/8
STEM	Race Face Deus XC over-size Custom
BARS	Easton Monkey Lite XC
GRIPS	Ç Deluxe Lock-On
BRAKES	Formula R1 180/160
SHIFTERS	Sram X9
FRONT MECH	Shimano XT
REAR MECH	New Sram X0
BOTTOM BTACKET	included w/crankset
CRANKS	Race Face DEUS Xtype Custom
CHAIN	Shimano 9s
CASSETTE	Sram PG-980 11-32
SEATPOST	SDG I Beam CARBON
SADLE	SDG Formula FX White
HUBS	Shimano XT (15mm front)
SPOKES	Stainless black 64p 3x lacing
RIMS	DT Swiss X430 white for Ç
TIRES	Maxxis High Roller 26x2.35/Crossmark 26x2.1
COLOUR	Shiny black
SIZES	S, M, L
WEIGHT	11,9Kg



META55 CARBON / 2010

ITEM	KIT CONTENT	KIT NAME	GENCODE
1	1 x Meta 4/55/4X rocker link (left & right) 4 x bearings:608-2RS (8 x 22 x 7mm)	complete rocker kit Meta 55 2009 type	900859
2	1 x 2009 Meta & SUPER 4 diabolo 50 mm spacer		
3	1 x 2009 Meta & SUPER 4 Ø11,2 x 50mm spacer		
4	1 x Meta 4/55/4X connecting rod 1 x connecting rod spacer 2 x bearings:608-2RS (8 x 22 x 7mm)	Meta 4/55/4X connecting rod kit /	800842
5	2 x Meta Ø21.6x10mm spacer for Meta carbon swingarm	Meta carbon frame rear triangle/ connecting rod spacer kit	1052005
6	1x Ø8 x 84mm axle		
7	1 x Ø8 x 65mm axle		
8	1 x Ø8 x 29.5 mm axle		
9	1 x Ø8 x 45mm axle		
10	1 x Ø8 x 75mm axle		
11	1 x Ø25 x 72 mm main pivot axle 2 x main pivot bolts 2 x big washers Ø25 x 1,5 mm	Main pivot axle kit for banana arm	900848

META55 CARBON / 2010

ITEM	KIT CONTENT	KIT NAME	GENCODE
13	6 x bearings:608-2RS (8 x 22 x 7mm)	6 bearings for Meta contact system type	900841
14	4 x bearings:6805-2RS (25 x 37 x 7mm)	Main pivot bearings kit	046500
16	10 x M5 sinking bolt 8 x 12 mm	M5 bolts kit	10520002
17	2 spacers for M5 bolt 22 x 4 mm	2 Spacers for M5 bolt 22 x 4 mm	10520001
18	4 x small wedge 10,8 x 4,3 mm for M5 sinking bolt	M5 bolt kit for Super 4 and Meta Carbon frames	10520003
	4 sinking bolt M5 x 20 mm		
/	1x BB cable guide YF 007-7	1x BB cable guide YF 007-7	900843

ADITIONAL SPARE PART

	KIT CONTENT	NAME KIT	GENCODE
		Derailleur hanger for 10 mm axle for all 2010 Meta	900802
		Left hanger 10 mm for all 2010 Meta	10530001
		Derailleur hanger 12 mm for all 2010 Meta	10530002
		Left hanger 12 mm for all 2010 Meta	10530003
1	axle with quick release Ø12 x 170mm	Rear wheel axle kit with quick release 12 x 181 mm	700855
		Derailleur hanger for Maxxle for all 2010 Meta	10530004
		Left hanger for Maxxle for all 2010 Meta	10530005
1	x Rock Shox Maxxle Axle for 135mm hub	Maxxle rear wheel axle for 135 mm hub	800803
	1x BB cable guide YF 007-7	Bottom bracket cable guide	900842



2010

TECHNICAL SPEC SHEET

META 55

BICYCLE TYPE <i>marathon/enduro full suspension mountain bicycle</i>	HEADSET TYPE <i>integrated headset type campa 45°X45°</i>
FRAME MATERIAL <i>aluminium Nuts SL (rear swingarm carbon on LTD)</i>	DISC BRAKE STANDARD <i>disc mount international standart</i>
REAR SUSPENSION TRAVEL <i>140mm</i>	MAX REAR DISC/ROTOR SIZE <i>185mm</i>
SHOCK LENGTH/STROKE <i>200X51mm</i>	SEATPOST/SEAT CLAMP DIAMETER <i>31,6mm/34,9mm</i>
PIGGYBACK SHOCK COMPATIBLE ? <i>no</i>	BOTTOM BRACKET WIDTH <i>68mm BSA</i>
SHOCK SPACER DIMENSIONS <i>22,2x8mm</i>	ISCG MOUNTS/STANDARD <i>no</i>
RECOMMENDED FORK HEIGHT/MAX HEIGHT <i>510 / 535mm</i>	FRONT MECH TYPE <i>down swing 31,8 mm /down pull</i>
HEADSET DIMENSION <i>1 inch 1/8</i>	REAR HUB COMPATIBILITY <i>135mmX10mm or 135mmX12mm</i>

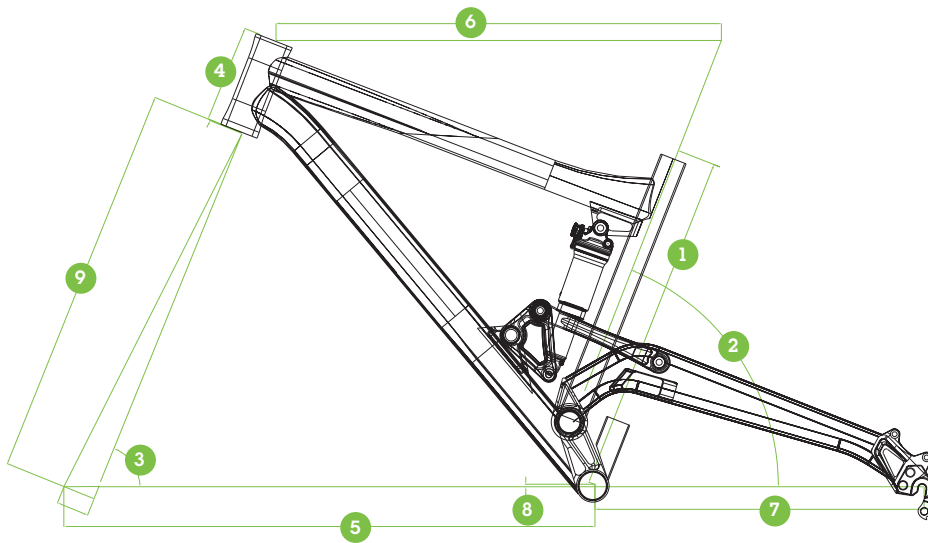
CONTACT SYSTEM ADJUSTMENT TABLE

Sag is the shock compression value when the rider sits on the bicycle at a standstill. In this case sag is expressed in a percentage value of the total travel of the rear shock. The axle-to-axle value should be obtained with the rider seated on the bicycle. Adjustment of your suspension using the

Contact System adjustment table should be done while referring to the suspension adjustment sheet delivered with your bicycle.

META 5	SAG %	Rear shock axle-to-axle distance	Comments
SAG optimum	20%	190mm	This adjustment will give you optimal performance in all types of terrain
SAG mini	12%	194mm	This adjustment will give you firmer suspension, suitable for rolling terrain
SAG maxi	25%	187mm	This adjustment will give you softer suspension, suitable for rougher terrain

GEO- METRY



SIZES

	S	M	L	XL
1_SEAT TUBE LENGTH	410mm	450mm	500mm	530mm
2_SEAT TUBE ANGLE	68,5°	68,5°	68,5°	68,5°
3_HEAD TUBE ANGLE	68°	68°	68°	68°
4_HEAD TUBE LENGTH	115mm	125mm	135mm	145mm
5_WHEEL BASE	1085mm	1105mm	1130mm	1155mm
6_TOP TUBE LENGTH	547mm	571,5mm	593mm	617mm
7_CHAIN STAY LENGTH	425mm	425mm	425mm	425mm
8_BB HEIGHT	3mm	3mm	3mm	3mm
9_FORK LENGTH	510mm	510mm	510mm	510mm

META 55

SIZING CHART

BIKES	HEIGHT (meters)	HEIGHT (feet/inches)	MAX INSIDE LEG (cm)	MAX INSIDE LEG (inches)
S	1,53m → 1,68m	5' → 5'6"	74,3	29,3
M	1,68m → 1,78m	5'6" → 5'10"	83,6	32,9
L	1,78m → 1,88m	5'10" → 6'2"	92,9	36,6
XL	From 1,88m	From 6'2"	98,5	38,8

SPECIFICATIONS

META 55 LTD

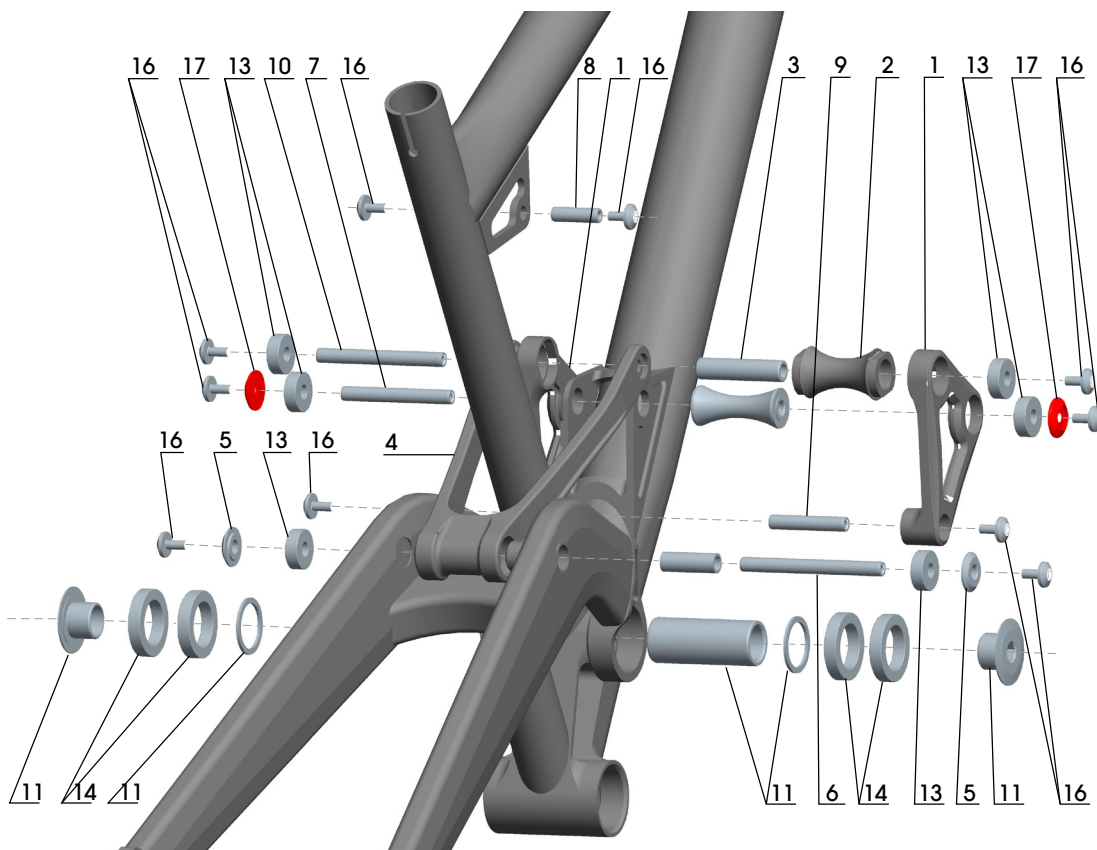
FRAME	Meta 55 updated w/ carbon swingarm
SHOCK	Fox RP2
FORK	Fox 32 Float 140 RL 15QR
HEADSET	Tange IS 24 Integrated. Sealed bearings. Campy standard 1"1/8
STEM	Race Face Evolve XC
BARS	Ç 1.5" 6061 DB oversize
GRIPS	Ç Deluxe Lock-On
BRAKES	Formula RX 180/160
SHIFTERS	Shimano SLX
FRONT MECH	Shimano SLX
REAR MECH	Shimano XT Shadow
BOTTOM BRACKET	included w/crankset
CRANKS	Shimano XT
CHAIN	Shimano HG
CASSETTE	Sram PG-970 11-34
SEATPOST	SDG Micro I Beam 2014
SADDLE	SDG Bel Air
HUBS	Shimano XT (15mm front)
SPOKES	Stainless black 64p 3x lacing
RIMS	DT Swiss X430 white for Ç
TIRES	Maxxis High Roller 26x2.35
COLOUR	Shiny Black
SIZES	S, M, L, XL
WEIGHT	13,3Kg

META 55 Team

FRAME	Meta 55 updated
SHOCK	Fox RP2
FORK	Fox 32 Float 140 RL 15QR
HEADSET	Tange Integrated. Campy standard 1"1/8
STEM	Race Face Evolve XC oversize
BARS	Ç 1.5" 6061 DB oversize
GRIPS	Ç Deluxe Lock-On
BRAKES	Formula RX 180/160
SHIFTERS	New Sram trigger X7 3x9
FRONT MECH	Shimano SLX
REAR MECH	Sram X9
BOTTOM BRACKET	included w/crankset
CRANKS	Truvativ Firex 3.3 giga X
CHAIN	Shimano HG
CASSETTE	Sram PG-970 11-34
SEATPOST	SDG I Beam 2014
SADDLE	SDG Formula FX
HUBS	Mavic
SPOKES	Mavic
RIMS	Mavic Crossride Disc 15QR
TIRES	Maxxis High Roller 26x2.35/Crossmark 26x2.1
COLOUR	Shiny White
SIZES	S, M, L, XL
WEIGHT	13,3Kg

META 55 Pro

FRAME	Meta 55 updated
SHOCK	Fox Float R
FORK	New Rock Shox Revelation SL dual Air. motion control. 140mm
HEADSET	Integrated Campy style w/sealed bearings
STEM	Race Face Ride XC oversize
BARS	Ç 1.5" 6061 DB oversize
GRIPS	Ç Deluxe Lock-On
BRAKES	Avid Juicy 3 185/160
SHIFTERS	New Sram trigger X7 3x9
FRONT MECH	Shimano Deore
REAR MECH	Sram X9
BOTTOM BRACKET	included w/crankset
CRANKS	Truvativ Firex 3.0 Giga X pipe
CHAIN	Shimano HG
CASSETTE	Sram PG-970 11-34
SEATPOST	Race Face Ride XC
SADDLE	SDG Bel Air black/white
HUBS	Mavic
SPOKES	Mavic
RIMS	Mavic Crossride Disc
TIRES	Hutchinson Barracuda/Cobra 26x2.1
COLOUR	Neon Red
SIZES	S, M, L, XL
WEIGHT	13,6Kg



META 55 PRO AND META 55 TEAM / 2010

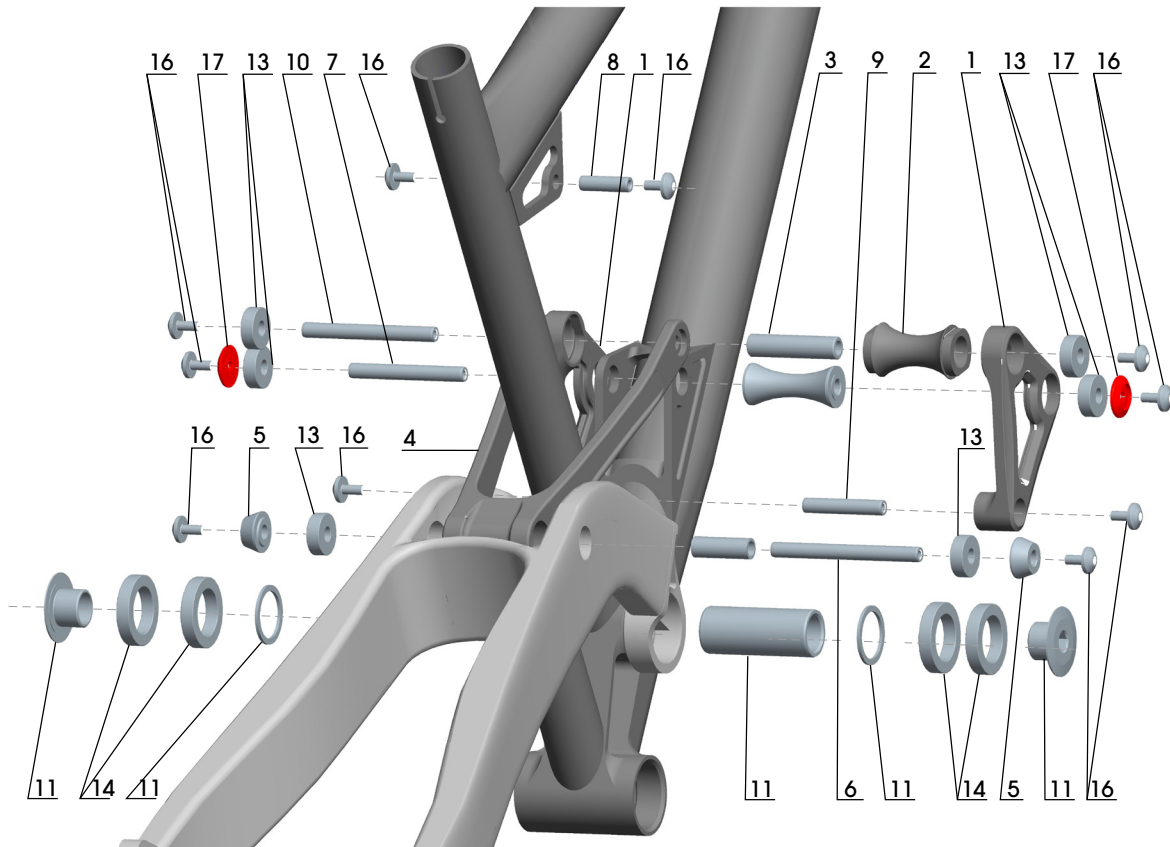
ITEM	KIT CONTENT	KIT NAME	GENCODE
1	1 x Meta 4/55/4X rocker link (left & right)	complete rocket kit Meta 55 2009	900859
	4 x bearings:608-2RS (8 x 22 x 7mm)		
	1 x 2009 Meta & SUPER 4 diablo 50 mm spacer		
3	1 x 2009 Meta & SUPER 4 Ø11,2 x 50mm spacer		
4	1 x Meta 4/55/4X connecting rod	Meta 4/55/4X connecting rod kit	800842
	1 x connecting rod spacer		
	2 x bearings:608-2RS (8 x 22 x 7mm)		
5	2 x Meta Ø21,6x4mm spacer	Meta rear triangle/connecting rod spacer	041500
6	1x Ø8 x 84mm axle	complete contact system axle kit for all Meta 4/55/6/4X	900879
7	1 x Ø8 x 65mm axle		
8	1 x Ø8 x 29.5 mm axle		
9	1 x Ø8 x 45mm axle		
10	1 x Ø8 x 75mm axle		
11	1 x Ø25 x 72 mm main pivot axle	Main pivot axle kit for banana arm	900848
	2 x main pivot bolts		
	2 x big washers Ø25 x 1,5 mm		

META 55 PRO ET META 55 TEAM / 2010

ITEM	KIT CONTENT	KIT NAME	GENCODE
13	6 x bearings : 608-2RS (8 x 22 x 7mm)	6 bearings for Meta contact system type	900841
14	4 x bearings: 6805-2RS (25 x 37 x 7mm)	Main pivot bearings kit	046500
16	10 x M5 sinking bolt 8 x 12 mm	M5 bolts KIT	10520002
17	2 Spacers for M5 bolt 22 x 4 mm	2 Spacers for M5 bolt 22 x 4 mm	10520001

ADDITIONAL SPARE PART

	KIT CONTENT	KIT NAME	GENCODE
		Derailleur hanger for 10 mm axle for all 2010 meta	900802
		Left hanger 10 mm for all 2010 Meta	10530001
		Derailleur hanger 12 mm for all 2010 meta	10530002
		Left hanger 12 mm for all 2010 Meta	10530003
1	axle with quick release Ø12 x 170mm	Rear wheel axle kit with quick release 12 x 181 mm	700855
		Derailleur hanger for Maxxle for all 2010 Meta	10530004
		Left hanger for Maxxle for all 2010 Meta	10530005
1	x Rock Shox Maxxle Axle for 135mm hub	Maxxle rear wheel axle for 135 mm hub	800803
1x	BB cable guide YF-023	Bottom bracket cable guide	900842



META 55 LTD / 2010

ITEM	KIT CONTENT	KIT NAME	GENCODE
1	1 x Meta 4/55/4X rocker link (left & right)	complete rocker kit Meta 55 2009 type	900859
	4 x bearings:608-2RS (8 x 22 x 7mm)		
2	1 x 2009 Meta & SUPER 4 diablo 50 mm spacer		
3	1 x 2009 Meta & SUPER 4 Ø11,2 x 50mm spacer		
4	1 x Meta 4/55/4X connecting rod	Meta 4/55/4X connecting rod kit	800842
	1 x connecting rod spacer		
	2 x bearings:608-2RS (8 x 22 x 7mm)		
5	2 x Meta Ø21.6x10mm spacer for Meta carbon swingarm	Meta carbon frame rear triangle/ connecting rod spacer kit	1052005
6	1x Ø8 x 84mm axle	complete contact system axle kit for all Meta 4/55/6/4X	900879
7	1 x Ø8 x 65mm axle		
8	1 x Ø8 x 29.5 mm axle		
9	1 x Ø8 x 45mm axle		
10	1 x Ø8 x 75mm axle		
11	1 x Ø25 x 72 mm main pivot axle	Main pivot axle kit for banana arm	900848
	2 x main pivot bolts		
	2 x big washers Ø25 x 1,5 mm		

META 55 LTD / 2010

ITEM	KIT CONTENT	KIT NAME	GENCODE
13	6 x bearings:608-2RS (8 x 22 x 7mm)	6 bearings for Meta contact system type	900841
14	4 x bearings:6805-2RS (25 x 37 x 7mm)	Main pivot bearings kit	046500
16	10 x M5 sinking bolt 8 x 12 mm	M5 bolts kit	10520002
17	2 Spacers for M5 bolt 22 x 4 mm	2 Spacers for M5 bolt 22 x 4 mm	10520001
/	1x BB cable guide YF-023	1x BB cable guide YF-023	900842

ADDITIONAL SPARE PARTS

	KIT CONTENT	KIT NAME	GENCODE
		Derailleur hanger for 10 mm axle for all 2010 meta	900802
		Left hanger 10 mm for all 2010 Meta	10530001
		Derailleur hanger 12 mm for all 2010 meta	10530002
		Left hanger 12 mm for all 2010 Meta	10530003
1	axle with quick release Ø12 x 170mm	Rear wheel axle kit with quick release 12 x 181 mm	700855
		Derailleur hanger for Maxlle for all 2010 Meta	10530004
		Left hanger for Maxlle for all 2010 Meta	10530005
1	x Rock Shox Maxle Axle for 135mm hub	Maxle rear wheel axle for 135 mm hub	800803
	1x BB cable guide YF-023	Bottom bracket cable guide	900842

SUPER4 CARBON

2010

TECHNICAL SPEC SHEET

SUPER 4 CARBON

BICYCLE TYPE <i>cross country /marathon full suspension mountain bicycle</i>	HEADSET TYPE <i>integrated headset type campa 45°X45°</i>
FRAME MATERIAL <i>nuts carbon (chain stays in alloy nuts SL)</i>	DISC BRAKE STANDARD <i>disc mount international standart</i>
REAR SUSPENSION TRAVEL <i>100mm</i>	MAX REAR DISC/ROTOR SIZE <i>160mm</i>
SHOCK LENGTH/STROKE <i>165X38mm</i>	SEATPOST/SEAT CLAMP DIAMETER <i>30,9mm/34,9mm</i>
PIGGYBACK SHOCK COMPATIBLE <i>no</i>	BOTTOM BRACKET WIDTH <i>68mm BSA</i>
SHOCK SPACER DIMENSIONS <i>22,2x8mm</i>	ISCG MOUNTS/STANDARD <i>no</i>
RECOMMENDED FORK HEIGHT/MAX HEIGHT <i>470/ 490mm</i>	FRONT MECH TYPE <i>top swing 34,9 mm / down pull</i>
HEADSET DIMENSION <i>1 inch 1/8</i>	REAR HUB COMPATIBILITY <i>135mmX10mm</i>

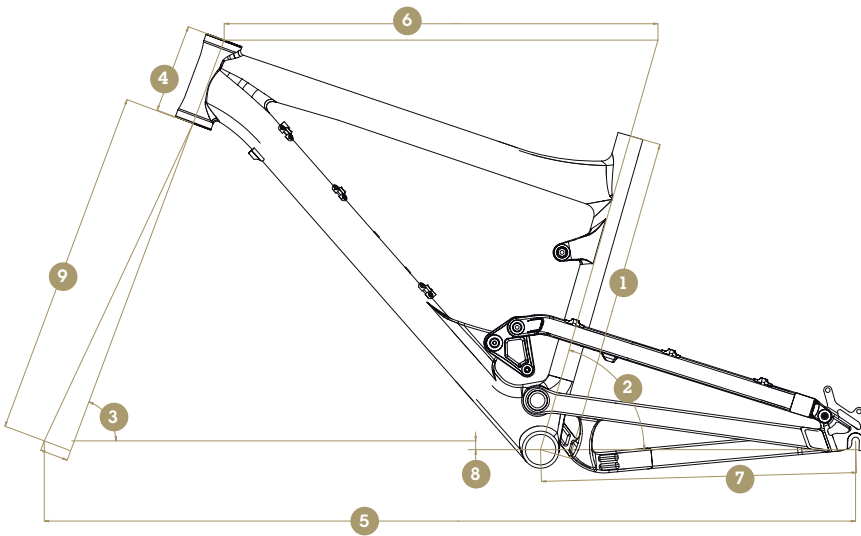
CONTACT SYSTEM ADJUSTMENT TABLE

Sag is the shock compression value when the rider sits on the bicycle at a standstill. In this case sag is expressed in a percentage value of the total travel of the rear shock. The axle-to-axle value should be obtained with the rider seated on the bicycle. Adjustment of your suspension using the

Contact System adjustment table should be done while referring to the suspension adjustment sheet delivered with your bicycle.

META 5	SAG %	Rear shock axle-to-axle distance	Comments
SAG optimum	15%	159mm	This adjustment will give you optimal performance in all types of terrain
SAG mini	10%	161mm	This adjustment will give you firmer suspension, suitable for rolling terrain
SAG maxi	20%	157mm	This adjustment will give you softer suspension, suitable for rougher terrain

GEO- METRY



SIZES

	S	M	L
1_SEAT TUBE LENGTH	400mm	440mm	490mm
2_SEAT TUBE ANGLE	74°	74°	74°
3_HEAD TUBE ANGLE	69,5°	69,5°	69,5°
4_HEAD TUBE LENGTH	115mm	120mm	130mm
5_WHEEL BASE	1069mm	1094mm	1115mm
6_TOP TUBE LENGTH	560mm	585mm	605mm
7_CHAIN STAY LENGTH	425mm	425mm	425mm
8_BB HEIGHT	-12mm	-12mm	-12mm
9_FORK LENGTH	470mm	470mm	470mm

SUPER 4 CARBON

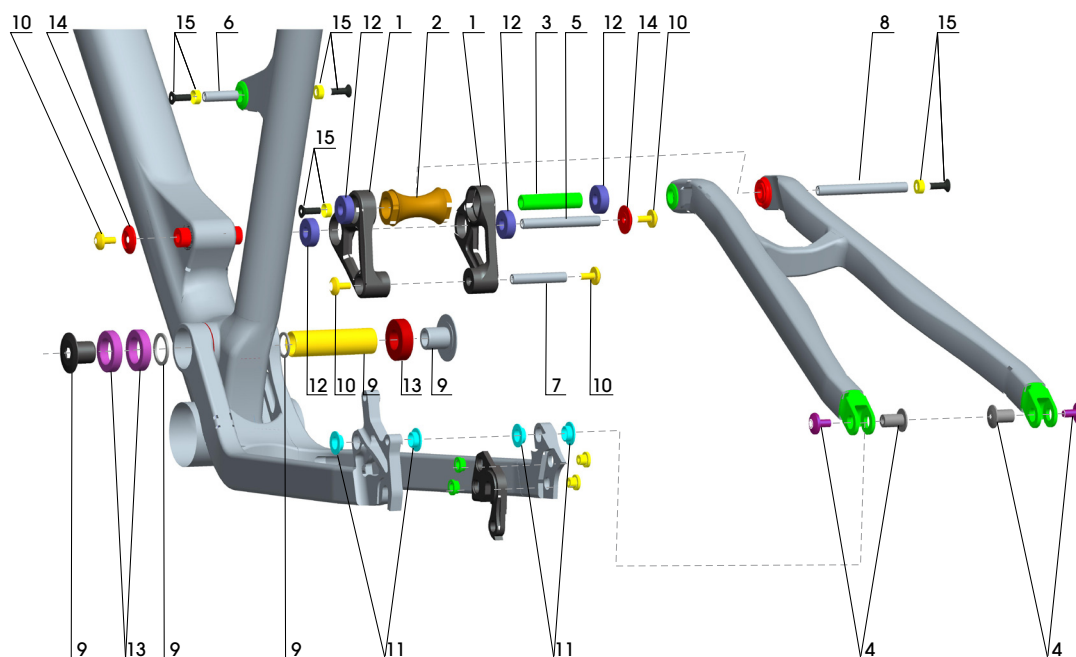
SIZING CHART

BIKES	HEIGHT (meters)	HEIGHT (feet/inches)	MAX INSIDE LEG (cm)	MAX INSIDE LEG (inches)
S	1,53m → 1,68m	5' → 5,6''	74,3	29,3
M	1,68m → 1,78m	5,6' → 5'10''	81,8	32,2
L	1,78m → 1,88m	5'10'' → 6'2''	91,1	35,9

SPECIFIC- ATIONS

SUPER 4 CARBON

FRAME	New SUPER 4 carbon 100mm
SHOCKS	Fox RPL
FORK	FOX 32 FRL O/B
HEADSET	Tange Integrated. Campy standard 1" 1/8
STEM	Race Face Deus oversize custom
BARS	Easton Monkey Lite SL
GRIPS	Ç Kraton
BRAKES	Formula R1 160/160
SHIFTERS	Sram X9
FRONT MECH	Shimano XT
REAR MECH	New Sram X0
BOTTOM BRACKET	included w/crankset
CRANKS	Race Face Deus XC 22x32x44 Custom
CHAIN	Shimano HG
CASSETTE	Sram PG-980 11-32
SEATPOST	Easton EC70 Zero carbon
SADDLE	SDG Fly RL Ti
HUBS	Shimano XT
SPOKES	Stainless black DB 64p 3x lacing
RIMS	DT Swiss X430 white for Ç
TIRES	Schwalbe Rocket Ron 26x2.25 Evo
COLOUR	Shiny Black
SIZES	S, M, L
WEIGHT	10,9Kg



SUPER 4 CARBON / 2010

ITEM	KIT CONTENT	KIT NAME	GENCODE
1	1 x Super 4 rocker link (left & right)	complete rocker kit for Super 4	900877
	4 x bearings: 608-2RS (8 x 22 x 7mm)		
	1 x 2009 Meta/ Super 4 50mm diabolo spacer		
3	1 x 2009 Meta & SUPER 4 Ø11.2 x 50mm spacer		
4	2 x axles : Ø10x16 M6	complete contact system axle kit for Super 4	10520011
	2 x sinking bolts:M6 x 1,0 x 12mm Commençal design		
5	1 x Ø8 x 65mm axle		
6	1 x Ø8 x 29.5 mm axle		
7	1 x Ø8 x 45mm axle		
8	1 x Ø8 x 75mm axle		
9	1 x Ø20 x 69 mm M17 axle	Super 4 main pivot axle kit	900819
	2 x bolts M17 x 18		
	2 x Ø25 x 20 x 1.5mm washers		
10	10 x M5 sinking bolt 8 x 12 mm	M5 boltS kit	10520002
11	4 x bushings IGUS (10 x 12 x 18 x 4)	Super 4 igus bushings	900817
12	6 x bearings 608-2RS (8 x 22 x 7mm)	6 bearings for Meta contact system type	900841
13	2 x bearings:61804 2RS (20 x 32 x 7mm)	Super 4 main pivot bearings kit	900820
	1 x bearing:61904 2RS (20 x 37 x 9mm)		

SUPER 4 CARBON / 2010

ITEM	KIT CONTENT	KIT NAME	GENCODE
14	2 Spacers for M5 bolt 22 x 4 mm	2 Spacers for M5 bolt 22 x 4 mm	10520001
15	4 x small wedge 10,8 x 4,3 mm for M5 sinking bolt	M5 bolt kit for Super 4 and Meta Carbon frames	10520003
	4 sinking bolt M5 x 20 mm		

ADDITIONAL SPARE PART

	KIT CONTENT	KIT NAME	GENCODE
		Deraillieur hanger for 10 mm axle for all 2010 meta	900802
1x BB cable guide YF-0073		Bottom bracket cable guide	900843

SUPER4

2010

TECHNICAL SPEC SHEET

SUPER 4

BICYCLE TYPE <i>cross country /marathon full suspension mountain bicycle</i>	HEADSET TYPE <i>integrated headset type campa 45°X45°</i>
FRAME MATERIAL <i>aluminium Nuts SL</i>	DISC BRAKE STANDARD <i>disc mount international standart</i>
REAR SUSPENSION TRAVEL <i>100mm</i>	MAX REAR DISC/ROTOR SIZE <i>160mm</i>
SHOCK LENGTH/STROKE <i>165X38mm</i>	SEATPOST/SEAT CLAMP DIAMETER <i>31,6mm / 34,9mm</i>
PIGGYBACK SHOCK COMPATIBLE <i>no</i>	BOTTOM BRACKET WIDTH <i>68mm BSA</i>
SHOCK SPACER DIMENSIONS <i>22,2x8mm</i>	ISCG MOUNTS/STANDARD <i>no</i>
RECOMMENDED FORK HEIGHT/MAX HEIGHT <i>470 / 490mm</i>	FRONT MECH TYPE <i>top swing 34,9 mm / down pull</i>
HEADSET DIMENSION <i>1 inch 1/8</i>	REAR HUB COMPATIBILITY <i>135mmX10mm</i>

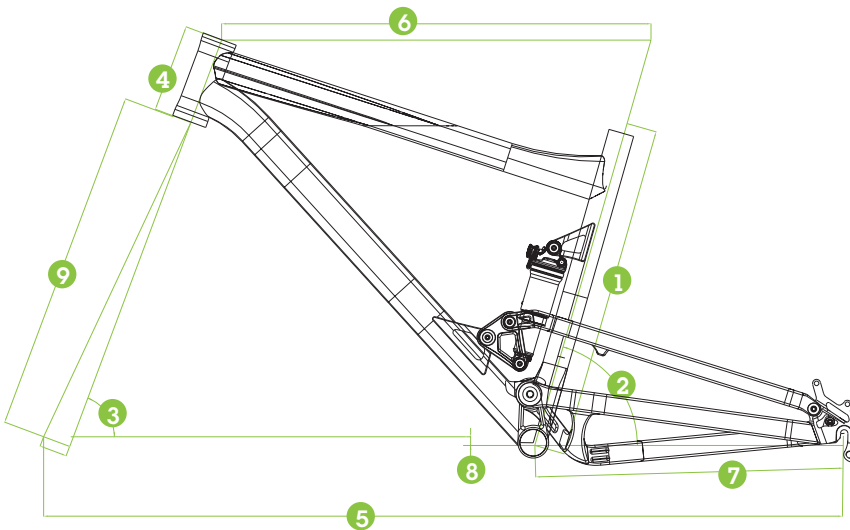
CONTACT-SYSTEM ADJUSTMENT TABLE

Sag is the shock compression value when the rider sits on the bicycle at a standstill. In this case sag is expressed in a percentage value of the total travel of the rear shock. The axle-to-axle value should be obtained with the rider seated on the bicycle. Adjustment of your suspension using the

Contact System adjustment table should be done while referring to the suspension adjustment sheet delivered with your bicycle.

SUPER 4	SAG %	Rear shock axle-to-axle distance	Comments
SAG optimum	15%	159mm	This adjustment will give you optimal performance in all types of terrain
SAG mini	10%	161mm	This adjustment will give you firmer suspension, suitable for rolling terrain
SAG maxi	20%	157mm	This adjustment will give you softer suspension, suitable for rougher terrain

GEO- METRY



SIZES

	S	M	L	XL
1_SEAT TUBE LENGTH	400mm	440mm	500mm	530mm
2_SEAT TUBE ANGLE	74°	74°	74°	74°
3_HEAD TUBE ANGLE	69,5°	69,5°	69,5°	69,5°
4_HEAD TUBE LENGTH	115mm	120mm	130mm	135mm
5_WHEEL BASE	1069mm	1094mm	1115mm	1135mm
6_TOP TUBE LENGTH	560mm	585mm	605mm	625mm
7_CHAIN STAY LENGTH	425mm	425mm	425mm	425mm
8_BB HEIGHT	-12mm	-12mm	-12mm	-12mm
9_FORK LENGTH	470mm	470mm	470mm	470mm

SUPER 4

SIZING CHART

BIKES	HEIGHT (meters)	HEIGHT (feet/inches)	MAX INSIDE LEG (cm)	MAX INSIDE LEG (inches)
S	1,53m → 1,68m	5' → 5''	74,3	29,3
M	1,68m → 1,78m	5'6'' → 5'10''	83,6	32,9
L	1,78m → 1,88m	5'10'' → 6'2''	92,9	36,6
XL	From 1,88m	From 6'2''	98,5	38,8

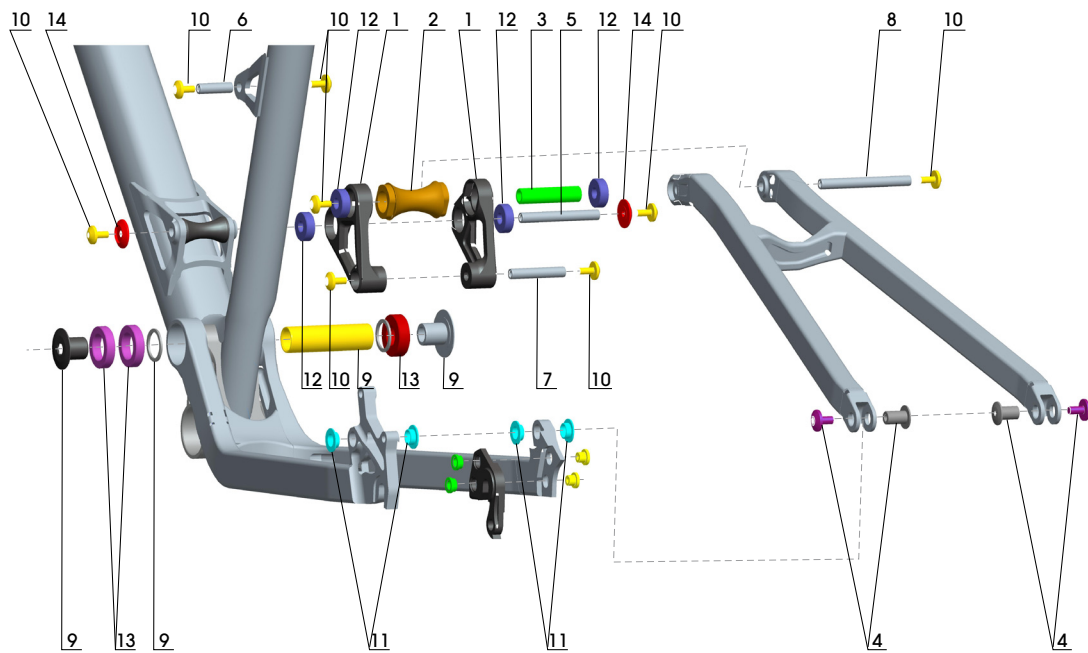
SPECIFIC- ATIONS

SUPER 4 Team

FRAME	updated SUPER 4 100mm
SHOCKS	Fox RPL
FORK	RS Reba SL air. motion control. lockout 120mm + POPLOC
HEADSET	Integrated Campy style w/sealed bearings
STEM	Race Face Evolve XC oversize
BARS	Ç 1" 7075DB oversize
GRIPS	Ç Kraton
BRAKES	Formula RX 160/160
SHIFTERS	New Sram trigger X7 3x9
FRONT MECH	Shimano SLX
REAR MECH	New Sram X0
BOTTOM BRACKET	Included w/crankset
CRANKS	Truvativ Firex 3.3 Giga X pipe
CHAIN	Shimano HG
CASSETTE	Sram PG-970 11-32
SEATPOST	SDG I Beam 2014
SADDLE	SDG I Fly white/black
HUBS	Shimano SLX
SPOKES	Stainless black 64p 3x lacing
RIMS	DT Swiss X430 white for Ç
TIRES	Maxxis Crossmark 26x2.1
COLOURS	Shiny White
SIZES	S, M, L, XL
WEIGHT	12,4Kg

SUPER 4 Pro

FRAME	updated SUPER 4 100mm
SHOCKS	Fox Float R 165x38
FORK	New Rock Shox Recon SL 120mm solo air w/turnkey lockout
HEADSET	integrated Campy style w/sealed bearings
STEM	Race Face Ride XC oversize
BARS	Ç 1" 6061DB oversize
GRIPS	Ç Kraton
BRAKES	Avid Juicy 3 160/160
SHIFTERS	New Sram trigger X7 3x9
FRONT MECH	Shimano Deore
REAR MECH	New Sram X9
BOTTOM BRACKET	Included w/crankset
CRANKS	Truvativ Firex 3.0 Giga X pipe
CHAIN	Shimano HG
CASSETTE	Sram PG-970 11-34
SEATPOST	Race Face Ride XC
SADDLE	SDG Fly RL
HUBS	Mavic
SPOKES	Mavic
RIMS	Mavic Crossride Disc
TIRES	Hutchinson COBRA 26x2.10 folding beads
COLOURS	Neon Red
SIZES	S, M, L, XL
WEIGHT	12,9Kg



SUPER 4 / 2010

ITEM	KIT CONTENT	KIT NAME	GENCODE
1	1 x Super 4 rocker link (left & right)	complete rocker kit for Super 4	900877
	4 x bearings:608-2RS (8 x 22 x 7mm)		
	1 x 2009 Meta/ Super 4 50mm diabolo spacer		
3	1 x 2009 Meta & SUPER 4 Ø11,2 x 50mm spacer		
4	2 x axles : Ø10x16 M6	complete contact system axle kit for Super 4	10520011
	2 x sinking bolts:M6 x 1,0 x 12mm Commençal design		
	1 x Ø8 x 65mm axle		
	1 x Ø8 x 29.5 mm axle		
7	1 x Ø8 x 45mm axle		
8	1 x Ø8 x 75mm axle		
9	1 x Ø20 x 69 mm M17 axle	Super 4 main pivot axle kit	900819
	2 x bolts M17 x 18		
	2 x Ø25 x 20 x 1.5mm washers		
10	10 x M5 sinking bolt 8 x 12 mm	M5 bolt kit	10520002
11	4 x bushings IGUS (10 x 12 x 18 x 4)	Super 4 igus bushings	900817
12	6 x bearings 608-2RS (8 x 22 x 7mm)	6 bearings for Meta contact system type	900841
13	2 x bearings:61804 2RS (20 x 32 x 7mm)	Super 4 main pivot bearings kit	900820
	1 x bearing:61904 2RS (20 x 37 x 9mm)		
14	2 Spacers for M5 bolt 22 x 4 mm	2 Spacers for M5 bolt 22 x 4 mm	10520001

ADDITIONAL SPARE PART

	KIT CONTENT	KIT NAME	GENCODE
		Derailleur hanger for 10 mm axle for all 2010 meta	900802
1x BB cable guide YF-023		Bottom bracket cable guide	900842



2010

TECHNICAL SPEC SHEET

SKIN

BICYCLE TYPE <i>cross country mountain bicycle</i>	MAX REAR DISC ROTOR SIZE 160mm
FRAME MATERIAL <i>nuts carbon</i>	SEATPOST/SEAT CLAMP DIAMETER 31,6mm/34,9mm
RECOMMENDED FORK HEIGHT/MAX HEIGHT 470 / 470mm	BOTTOM BRACKET WIDTH 68mm BSA
HEADSET DIMENSION 1 inch 1/8	ISCG MOUNTS STANDARD no
HEADSET TYPE <i>integrated headset type campa 45°X45°</i>	FRONT MECH TYPE <i>top swing 34,9mm /down pull</i>
DISC BRAKE STANDARD <i>disc mount international standart</i>	REAR HUB COMPATIBILITY 135mmX10mm

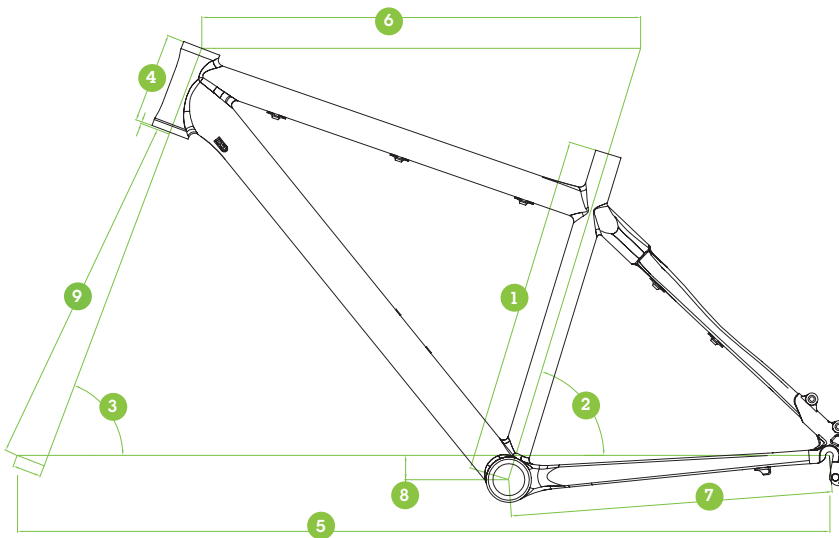
If your Commencal bicycle has front suspension, it is important to adjust it according to the type of riding you do, and your riding style.

Please refer to the suspension fork manufacturers instruction manual for adjustment instructions. This manual is delivered with your bicycle when new.



Incorrect adjustment of your suspension can result in irreparable damage to your bicycle. If in doubt, please contact your local authorized Commencal Bicycles retailer for help.

GEO- METRY



SIZES

	S	M	L
1_SEAT TUBE LENGTH	400mm	450mm	500mm
2_SEAT TUBE ANGLE	73°	73°	73°
3_HEAD TUBE ANGLE	69,3°	69,3°	69,3°
4_HEAD TUBE LENGTH	105mm	120mm	130mm
5_WHEEL BASE	1048mm	1069mm	1089mm
6_TOP TUBE LENGTH	560mm	580mm	600mm
7_CHAIN STAY LENGTH	425mm	425mm	425mm
8_BB HEIGHT	-32mm	-32mm	-32mm
9_FORK LENGTH	470mm	470mm	470mm

SKIN

SIZING CHART

BIKES	HEIGHT (meters)	HEIGHT (feet/inches)	MAX INSIDE LEG (cm)	MAX INSIDE LEG (inches)
S	1,53m → 1,68m	5' → 5'6"	74,3	29,3
M	1,68m → 1,78m	5'6" → 5'10"	83,6	32,9
L	1,78m → 1,88m	5'10" → 6'2"	92,9	36,6

SPECIFIC- ATIONS

SKIN 1

FRAME	Skin Carbon Factory
FORK	Sid Race + Poploc
HEADSET	Tange Integrated. Campy standard 1"1/8
STEM	Race Face Deus oversize custom
BARS	Easton EC90
GRIPS	Ç Kraton
BRAKES	Formula R1 160/160
SHIFTERS	Sram X9
FRONT MECH	Shimano XT
REAR MECH	New Sram X0
BOTTOM BRACKET	Included w/crankset
CRANKS	Race Face Next carbon Custom
CHAIN	Shimano HG
CASSETTE	Sram PG-980 11-32
SETAPOST	Easton EC70 Zero carbon
SADDLE	SDG Fly RL Ti
HUBS	Shimano XT
SPOKES	Stainless black DB 64p 3x lacing
RIMS	DT Swiss X430 white for Ç
TIRES	Schwalbe Rocket Ron 26x2.1 Evo
COLOUR	Shiny Black
SIZES	S, M, L
WEIGHT	9,3Kg

SKIN 2

FRAME	Skin Carbon
FORK	RS Reba SL air. motion control. lockout 100mm + Poploc
HEADSET	Tange Integrated. Campy standard 1"1/8
STEM	Race Face Evolve XC oversize
BARS	Ç 1" 7075DB oversize
GRIPS	Ç Kraton
BRAKES	Formula RX 160/160
SHIFTERS	New Sram trigger X7 3x9
FRONT MECH	Shimano SLX
REAR MECH	New Sram X0
BOTTOM BRACKET	included w/crankset
CRANKS	Truvativ Firex 3.3 Giga X pipe
CHAIN	Shimano HG
CASSETTE	Sram PG-970 11-32
SETAPOST	Race Face Evolve
SADDLE	SDG Fly RL
HUBS	Shimano SLX
SPOKES	Stainless black 64p 3x lacing
RIMS	DT Swiss X430 white for Ç
TIRES	Maxxis Larsen TT 26x2.00
COLOUR	Shiny White
SIZES	S, M, L
WEIGHT	10,7Kg

PREMIER

2010

TECHNICAL SPEC SHEET

PREMIER

BICYCLE TYPE <i>hardtail trail mountain bicycle</i>	MAX REAR DISC ROTOR SIZE 160mm
FRAME MATERIAL <i>aluminium Nuts</i>	SEATPOST/SEAT CLAMP DIAMETER 27,2mm / 31,6mm
RECOMMENDED FORK HEIGHT/MAX HEIGHT <i>470 / 490mm</i>	BOTTOM BRACKET WIDTH 68mm BSA
HEADSET DIMENSION <i>1 inch 1/8</i>	ISCG MOUNTS STANDARD <i>no</i>
HEADSET TYPE <i>headset classic (integrated headset type campa 45°X45° Premier Pro & Deluxe)</i>	FRONT MECH TYPE <i>down swing 31,8/down pull</i>
DISC BRAKE STANDARD <i>VB bosses Premier VB only + Disc Mount SI</i>	REAR HUB COMPATIBILITY 135mmX10mm

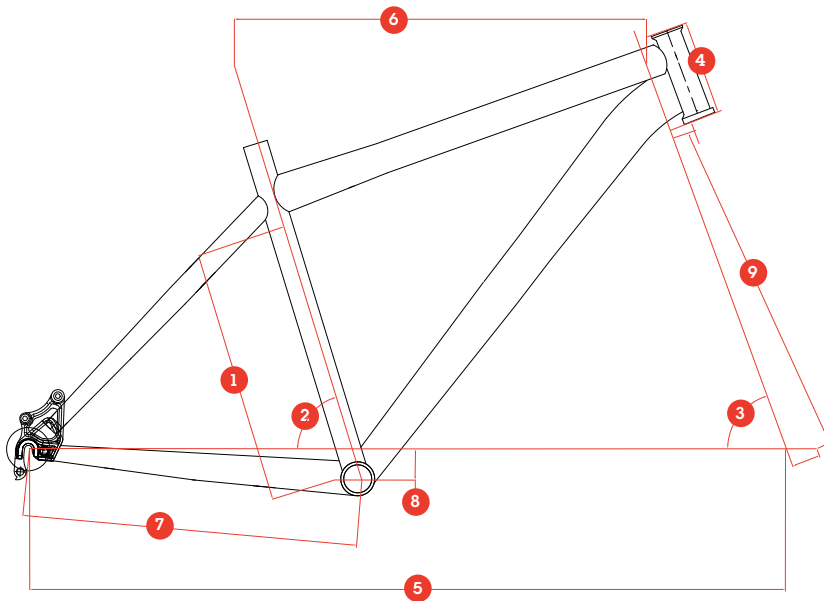
If your Commencal bicycle has front suspension, it is important to adjust it according to the type of riding you do, and your riding style.

Please refer to the suspension fork manufacturers instruction manual for adjustment instructions. This manual is delivered with your bicycle when new.



Incorrect adjustment of your suspension can result in irreparable damage to your bicycle. If in doubt, please contact your local authorized Commencal Bicycles retailer for help.

GEO- METRY



SIZES

	XS	S	M	L	XL
1_SEAT TUBE LENGTH	350mm	400mm	450mm	500mm	530mm
2_SEAT TUBE ANGLE	73°	73°	73°	73°	73°
3_HEAD TUBE ANGLE	69,5°	69,5°	69,5°	69,5°	69,5°
4_HEAD TUBE LENGTH	100mm	110mm	120mm	130mm	135mm
5_WHEEL BASE	1003,9mm	1030,2mm	1062,2mm	1082,2mm	1108,2mm
6_TOP TUBE LENGTH	521mm	554mm	575mm	594mm	620mm
7_CHAIN STAY LENGTH	425mm	425mm	425mm	425mm	425mm
8_BB HEIGHT	-42mm	-38mm	-38mm	-38mm	-38mm
9_FORK LENGTH	450mm	470mm	470mm	470mm	470mm

PREMIER

SIZING CHART

BIKES	HEIGHT (meters)	HEIGHT (feet/inches)	MAX INSIDE LEG (cm)	MAX INSIDE LEG (inches)
XS	From 1,38	From 4'6"	65,1	25,6
S	1,53 → 1,68	from 5' → 5'6"	74,3	29,3
M	1,68 → 1,78	from 5'6" → 5'10"	83,6	32,9
L	1,78 → 1,88	5'10" → 6'2"	92,9	36,6
XL	From 1,88	From 6'2"	98,5	38,8

SPECIFICATIONS

PREMIER DLX

FRAME	New Premier SL DB 6061 T6
FORK	Rock Shox Recon SL 80mm on XS/100mm on others
HEADSET	Integrated Campy style sealed bearings
STEM	Race Face Ride XC oversize
BARs	Ç 1" 6061DB oversize
GRIPS	Ç Kraton
BRAKES	Avid Juicy 3 White 160/160
SHIFTERS	New Sram Trigger X7 3x9
FRONT MECH	Shimano Deore
REAR MECH	New Sram X9
BOTTOM BRACKET	included w/crankset
CRANKS	Truvativ Firex 3.0
CHAIN	Shimano HG 9s
CASSETTE	Sram PG-970 11-32
SEATPOST	Race Face Ride XC
SADDLE	SDG Fly RL
HUBS	Mavic
SPOKES	Mavic
RIMS	Mavic Crossride
TIRES	Hutchinson Cobra 26x2.10
COLOURS	Neon Red
SIZES	XS, S, M, L, XL
WEIGHT	11,9Kg

PREMIER PRO

FRAME	New Premier SL DB 6061 T6
FORK	Rock Shox Tora SL 80mm on XS/100mm on others
HEADSET	Integrated Campy style sealed bearings
STEM	Race Face Ride XC
BARs	Ç 1" 6061DB
GRIPS	Ç Kraton
BRAKES	Avid Juicy 3 160/160
SHIFTERS	New Sram Trigger X7 3x9
FRONT MECH	Shimano Deore
REAR MECH	New Sram X7
BOTTOM BRACKET	Shimano splined
CRANKS	Shimano M442 Octalink
CHAIN	KMC 9s
CASSETTE	Sram PG 950 9s 11-32
SEATPOST	Race Face Ride XC
SADDLE	SDG Bel Air
HUBS	Ç disc/Shimano M525
SPOKES	Stainless 64p 3x lacing black
RIMS	Mavic XM117
TIRES	Geax Saguario 26x2.00
COLOURS	Neon Red
SIZES	XS, S, M, L, XL
WEIGHT	12,7Kg

SPECIFICATIONS

PREMIER DISC

FRAME	New Premier Disc 6061T6
FORK	Suntour XCR LO 80mm on XS/100mm on others
HEADSET	Neco 1"1/8 ball retainer
STEM	Ç
BARS	Ç 1" 6061DB
GRIPS	Ç Kraton
BRAKES	Avid Juicy 3 White 160/160
SHIFTERS	Shimano Deore 3x9
FRONT MECH	Shimano Deore
REAR MECH	New Shimano Deore Shadow
BOTTOM BRACKET	FSA Square sealed bearings
CRANKS	Truvativ 5D Chain KMC 9s
CHAIN	KMC 9s
CASSETTE	Sram PG 950 9s 11-34
SEATPOST	Ç
SADDLE	Ç by Velo
HUBS	Ç disc brakes
SPOKES	Stainless 64p 3x lacing black
RIMS	Jalco double wall white
TIRES	Geax Saguaro 26x2.00
COLOURS	Shiny White
SIZES	XS, S, M, L, XL
WEIGHT	13.4Kg

PREMIER VB

FRAME	New Premier VB 6061T6
FORK	Suntour XCT V2 80mm on XS/100mm on others
HEADSET	Neco 1"1/8 ball retainer
STEM	Ç
BARS	Ç 1" 6061
GRIPS	Ç Kraton black
BRAKES	Ç V-brake Linear spring white
SHIFTERS	Shimano Acera EF50 + levers 3x8
FRONT MECH	Shimano M190
REAR MECH	Shimano Acera
BOTTOM BRACKET	FSA Square sealed bearings
CRANKS	Shimano M151
CHAIN	KMC 8s
CASSETTE	Sram PG820 8s 11-32
SEATPOST	Ç
SADDLE	Ç by Velo
HUBS	Shimano RM40/RM30
SPOKES	Stainless 64p 3x lacing black
RIMS	Jalco double wall w/ CNC flange
TIRES	Kenda Karma 26x2.00
COLOURS	Shiny black
SIZES	XS, S, M, L, XL
WEIGHT	12.9Kg

BABULON

BICYCLES D'OPINION PRINCIPAT D'ANDERRA

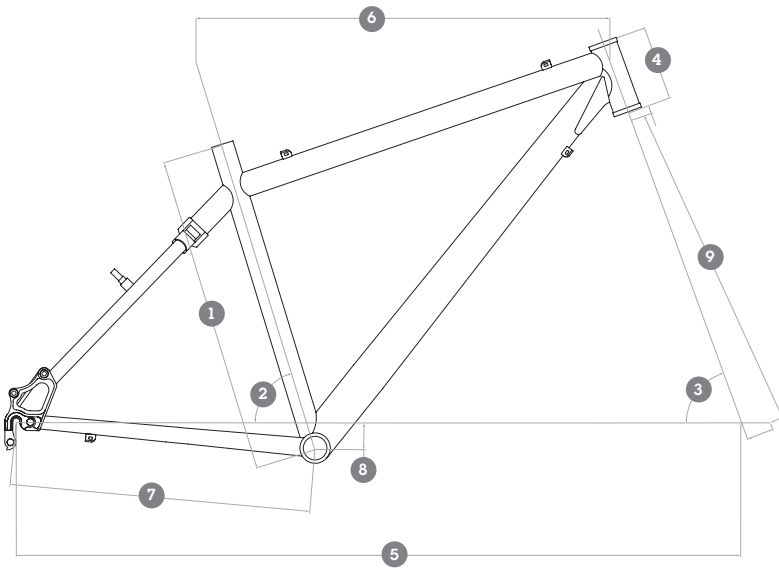
2010

TECHNICAL SPEC SHEET

BABYLON

BICYCLE TYPE <i>urban</i>	MAX REAR DISC/ROTOR SIZE <i>160mm</i>
FRAME MATERIAL <i>aluminium nuts</i>	SEATPOST/SEAT CLAMP DIAMETER <i>27,2mm/31,8mm</i>
COMMENTS <i>rear carrier compatible compatible wheels 700c only</i>	BOTTOM BRACKET WIDTH <i>68mm BSA</i>
RECOMMENDED FORK HEIGHT/MAX HEIGHT <i>370mm/370mm</i>	ISCG MOUNTS/STANDARD <i>no</i>
HEADSET DIMENSION <i>1 inch 1/8</i>	FRONT MECH TYPE <i>down swing 31,6/down pull</i>
HEADSET TYPE <i>integrated headset type campa 45°X45°</i>	REAR HUB COMPATIBILITY <i>135X10mm</i>
DISC BRAKE STANDARD <i>VB bosses (Babylon japan only) + disc mount international standart</i>	

GEO- METRY



SIZES	S	M	L
1_SEAT TUBE LENGTH	420mm	460mm	500mm
2_SEAT TUBE ANGLE	74°	74°	74°
3_HEAD TUBE ANGLE	70,5°	71°	71,5°
4_HEAD TUBE LENGTH	115mm	135mm	165mm
5_WHEEL BASE	1050,9mm	1076,7mm	1098,5mm
6_TOP TUBE LENGTH	557,6mm	586,6mm	611,5mm
7_CHAIN STAY LENGTH	440mm	440mm	440mm
8_BB HEIGHT	-65mm	-65mm	-65mm
9_FORK LENGTH	393mm	393mm	393mm

BABYLON

SIZING CHART

BIKES	HEIGHT (meters)	HEIGHT (feet/inches)	MAX INSIDE (cm)	MAX INSIDE LEG (inches)
S	1,60 → 1,75	4'7" → 5'9"	78,1	30,7
M	1,75 → 1,85	5'9" → 6'	85,5	33,7
L	From 1,85	From 6'	92,9	36,6

SPECIFICATIONS

BABYLON 1

FRAME	Nuts SL Supernormal style for 700c +inserts for fenders, racks, etc...
SHOCK	Carbon Disc brake
HEADSET	Integrated Sealed bearings
STEM	FSA OS190
BARs	Ç 6061 oversize
GRIPS	Lock-on leather
BRAKES	Avid juicy 3 Black 160/160
SHIFTERS	Shimano R440 3x9
FRONT MECH	Shimano R440 for double
REAR MECH	Shimano XT Shadow
BOTTOM BRACKET	Giga X pipe included w/ crankset
CRANKS	Truvativ Rouleur Compact 48/34
CHAIN	Shimano
CASSETTE	Sram PG-970 11-32
SEATPOST	FSA 280
SADDLE	WTB
HUBS	Ç sealed front/Shimano Xt rear
SPOKES	Stainless black
RIMS	Alex rims 700C black
TIRES	Kenda Kwest 700x35
COLOUR	Black
SIZE	S, M, L
WEIGHT	11,3Kg








BABYLON 2

FRAME	Nuts SL Supernormal style for 700c +inserts for fenders, racks, etc...
SHOCK	Alloy Disc brake
HEADSET	Integrated Sealed bearings
STEM	Ç alloy oversize
BARs	Ç 6061 oversize
GRIPS	Ç Kraton
BRAKES	Avid juicy 3 White 160/160
SHIFTERS	Shimano Acera 3x8
FRONT MECH	Shimano Acera
REAR MECH	Shimano Deore Shadow
BOTTOM BRACKET	Truvativ power spline
CRANKS	Truvativ X-flow power spline 48/38/28
CHAIN	KMC X9
CASSETTE	Sram PG 830 11-32
SEATPOST	Ç alloy
SADDLE	SDG BEL Air
HUBS	Ç disc
SPOKES	Stainless
RIMS	Ç rims white
TIRES	Kenda Kwest 700x35
COLOUR	White
SIZE	S, M, L
WEIGHT	12,34Kg




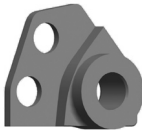


SPARE PARTS

Rear Hangers
Free Hub Bodies
Adjusting the Head Angle
Chain Guide
Torque Settings
Frame Part Compatibility
Spoke Length

REAR HANGER COMPATIBILITY

GENCODE	BIKE OR FRAME COMPATIBILITY	
001500	<p>2005 : all Meta, Supreme (Supreme FR, Supreme Mini DH), Essence, Flame</p> <p>2006 : all Meta, Suprême, Essence, Flame, Meta 4X, Absolut 4X</p> <p>2007 : all Meta, Mini DH, Essence, Flame, Normal, Supernormal, Combi, Combi S, Meta 4X, Absolut 4X.</p> <p>2008 : all Meta, Mini DH, Essence, Flame, Supernormal, Combi S, Meta 4X, Absolut 4X</p> <p>2009 : all Meta, Supreme, Supernormal, Combi S, Babylon.</p> <p>2010 : Babylon, Absolut 4X</p>	
011500	Left side hanger for 10 mm axle. Compatible with all Meta, Supreme (Mini DH) and Absolut 4X uniquely 2005 to 2009	
010500	Same type as 001500 for 12mm axle. Compatible with all Meta, Supreme (Mini DH) and Absolut 4X uniquely 2005 to 2009	
012500	Left side hanger for 12 mm axle. Compatible with all Meta, Supreme (Mini DH) and Absolut 4X uniquely 2005 to 2009	
800801	Derailleur hanger for Maxle axle (same type as 001500). Compatible with all Meta, Supreme (Mini DH) and Absolut 4X uniquely 2005 to 2009	
800802	Left side hanger for Maxle axle. Compatible with all Meta, Supreme (Mini DH) and Absolut 4X uniquely 2005 to 2009	
900802	<p>Derailleur hanger for 10 mm axle</p> <p>2009 : Super 4</p> <p>2010 : Super 4, Meta 5 and Meta 6</p>	

REAR HANGER COMPATIBILITY

GENCODE	BIKE OR FRAME COMPATIBILITY	
10530001	Left hanger 10 mm for all 2010 Meta	
10530002	Derailleur hanger 12 mm for all 2010 meta	
10530003	Left hanger 12 mm for all 2010 Meta	
10530004	Derailleur hanger for Maxxle for all 2010 Meta	
10530005	Left hanger for Maxxle for all 2010 Meta	
900800	Supreme DH 2009 and 2010	
001700	Supreme DH 2007 and 2008	

REAR HANGER COMPATIBILITY

800841 Left side hanger for Supreme DH 2007 to 2010



002500 Supreme DH 2004 and 2005



800820 Furious 2008 to 2010, Supreme DH 2006



003700 All Absolut Alu , Absolut Maxmax : 2007 to 2009



003800 Right side hanger for single speed for all Absolut Alu : 2007 à 2009



800831 Left side hanger for single speed for all Absolut Alu : 2007 à 2009



002700 Absolut CrMo 2007 to 2009



002800 Right side hanger for single speed for all Absolut Crmo : 2007 à 2009



REAR HANGER COMPATIBILITY

GENCODE

BIKE OR FRAME COMPATIBILITY

800847

Left side hanger for single speed for all Absolut Crmo : 2007 à 2009



10530006

Right horizontal derailleur hanger for : all Absolut Alu / / Ramones / Absolut 4X / Meta 4X / Supreme and Absolut SX 2010



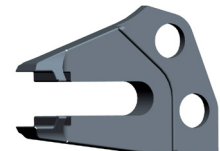
10530007

Left horizontal hanger for : all Absolut Alu / / Ramones / Absolut 4X and Absolut SX 2010



10530008

Right horizontal hanger for chain tensionner for : all Absolut Alu / Ramones / Absolut 4X and Absolut SX 2010



10530009

Left horizontal hanger for chain tensionner for : all Absolut Alu / / Ramones / Absolut 4X / Meta 4X / Supreme and Absolut SX 2010



10530010

Derailleur hanger 10 mm for : all Absolut Alu / / Ramones / Absolut 4X / Meta 4X / Supreme and Absolut SX 2010



10530011






Left hanger 10 mm for : all Absolut Alu / / Ramones / Absolut 4X / Meta 4X / Supreme and Absolut SX 2010



REAR HANGER COMPATIBILITY

GENCODE	BIKE OR FRAME COMPATIBILITY	
10530012	Derailleur hanger 12 mm for : all Absolut Alu / / Ramones / Absolut 4X / Meta 4X / Supreme and Absolut SX 2010	
10530013	Left hanger 12 mm for : all Absolut Alu / / Ramones / Absolut 4X / Meta 4X / Supreme and Absolut SX 2010	
10530014	Derailleur hanger for Maxxle for : all Absolut Alu / / Ramones / Absolut 4X / Meta 4X / Supreme and Absolut SX 2010	
10530015	Left hanger for Maxxle for : all Absolut Alu / / Ramones / Absolut 4X / Meta 4X / Supreme and Absolut SX 2010	
800873	2008 : Normal, Combi disc, Combi deluxe	
900814	2009 : Combi, Normal 2010 : all Premier	
900801	Skin : 2009 and 2010	

REAR HANGER COMPATIBILITY

GENCODE	BIKE OR FRAME COMPATIBILITY	
001100	2001 : Supernormal, Flame, Essence, Thermo, Doctor 2002 : Supernormal, Flame, Essence, Pasta, Sub, Essence S, Doctor 2003 : Supernormal, Flame, Essence, Pasta, Pasta Power, Pizza, Pizza Power, Essence S, Flame S, Combi S 2004 : Supernormal, Flame, Essence, Pasta, Pasta power, Pizza, Pizza Power, Essence S, Flame S, Combi S 2005 : Supernormal, Normal, Combi, Combi S, Absolut AL 2006 : Supernormal, Normal, Combi, Combi S, Absolut AL Doctor, Essence S, Sub : all models Pizza, Pasta(Power), Thermo : all models	
003000	Combi : 2001 to 2004	
002000	Supernormal : 2000 et 2001	
001000	All road bikes except Howard 2006	
007600	Howard 2006	
800854	Flame Titanium	
800855	Left hanger Flame Titane	

FREEHUB BODY COMPATIBILITY

HUBS: 2005 TO 2009

GENCODE	BIKE OR FRAME COMPATIBILITY	
004600	2006: Supernormal, Supernormal Disc, Essence, Meta 4.3, Meta 5.3, Meta 5.2, Absolut AL 1 2007: Supernormal, Supernormal Disc, Flame, Meta 5.2, Meta 5.1 Prod 2, Meta 4.1, Meta 4.2, Supreme 6.1	
004500	2005: Normal Disc, Combi Disc, Combi S, Meta 5.3, Supreme 6.3, Absolut AL 2006: Normal Disc, Combi Disc, Combi S, Meta 5.4, Supreme 6.3, Absolut AL 2007: Tous modèles Combi 2007, Meta 5.3, Supreme 6.2	
(this free hub body (alloy) has a defect, if you need change it, please contact Commençal to replace the complete hub)	2007: Supernormal Disc prod 1, Flame Prod 1, Meta 4.1, Meta 4.2, Meta 5.1 Prod 1	
005500	2005: Supernormal, Essence, Meta 4.2, Meta 5.2, Meta 5.1	
007500	2005 : Meta 4.3	
10540001	2010 : Meta 6	
006500	2005 : Combi VB 2006 : Combi VB, Normal VB	
802801	2008 : Normal Disc	

FREEHUB BODY COMPATIBILITY

GENCODE	BIKE OR FRAME COMPATIBILITY	
808045	2009 : Normal Disc 2010 : Premier Disc, Ramones 2	
013500	2005 : Supreme 6.1	
008500	2005 : Supreme 6.2, Supreme DH 2006 : Supreme 6.2, Supreme 6.1, Supreme 6 Team, Supreme DH, Supreme DH Team	
043500	2007 : Supreme DH 2008 : Supreme DH, Furious 2009 : Supreme DH, Furious CG 2010 : Supreme DH	
808043	2008 : Supreme 6.2 2009 : Supreme 6.1, Furious 2010 : Furious	
044500	2007 : Absolut AL	
802802	2008 : Absolut Alu, Absolut CG, MaxMax, MaxMax Team 2009 : Absolut Alu, Absolut CG, MaxMax, MaxMax Team 2010 : All Absolut MaxMax, Absolut CG CrMo, Absolut AL1, Absolut AL2	
045500	2007 and 2008 : Absolut Crmo	
808044	2009 : Absolut Crmo 2010 : Absolut SX	

ADJUSTING THE HEAD ANGLE

META 6, SUPREME & SUPREME DH

IN ORDER TO ADAPT YOUR COMMENCAL BIKE'S HANDLING FOR THE DIFFERENT TERRAIN YOU RIDE AND TO YOUR RIDING STYLE, YOU HAVE THE OPTION OF MODIFYING YOUR BIKE'S HEAD ANGLE.

Your bike is delivered with two head tube sleeves:

- a silver 0° sleeve, mounted on all Supreme, Absolut 4X and Meta 4X, as well as the Meta 6 in size S and M
- a black +/- 1° sleeve, delivered with the bike
- an anthracite grey +/-0.5° sleeve, mounted on the Meta 6 in size L and XL which is specific to these models

HOW TO ADJUST

The +1° and +0.5° positions are suitable for slow trail conditions, when you need good manoeuvrability, the trade off being less stability. The +1° position offers the most manoeuvrability.

The 0° position is the intermediate position.

The -1° and -0.5° positions are most suitable for rapid trail conditions where stability is important. The bike will be less manoeuvrable. The -1° position will offer you the most stability.

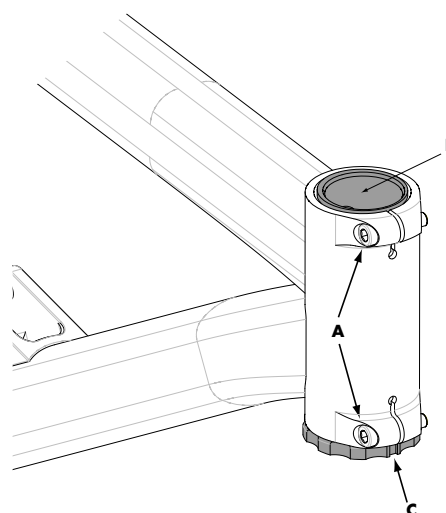
To choose the +/-1° head angle (or the +/-0.5 angle, the principal is the same), you will need to position one of the two slots situated on the ring at the bottom of the head tube sleeve so that it is central to the front of the headtube.

If you place the narrow slot at the front, you are in a + position.
If you place the wide slot at the front, you are in a - position.

ADJUSTMENT

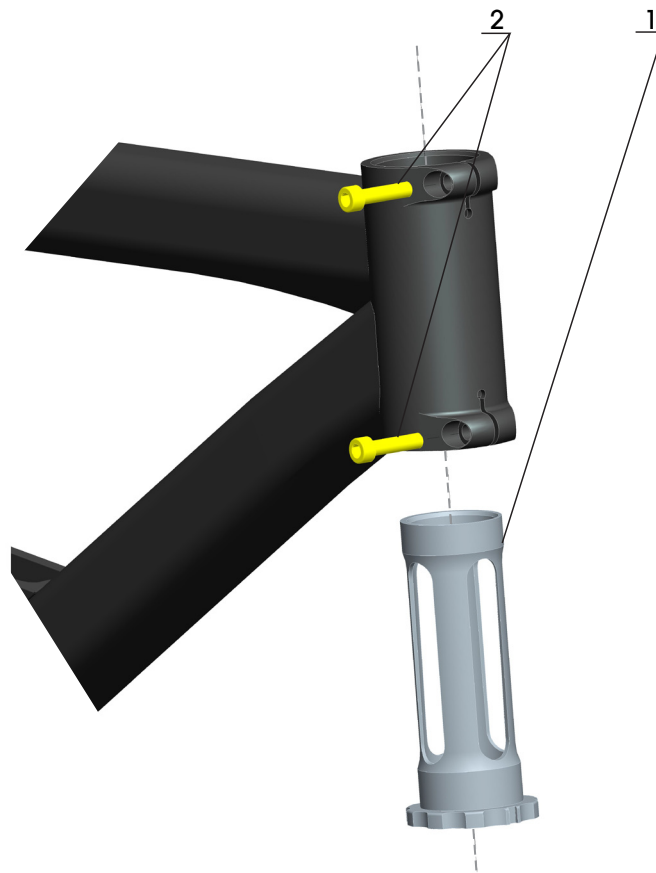
- Loosen the stem, the headset, and the top yoke if you have a dual crown suspension fork.
- Loosen the two bolts **A** on the head tube.
- Turn the head tube sleeve **B** half a turn with your hand to the desired position. Make sure that one of the two slots **C** is facing forward in a central position to the headtube.
- Re-tighten the head tube **A** bolts with the correct torque setting (10Nm).
- Adjust the headset and tighten the stem bolts as indicated in the bike owners manual, delivered with the bike.

If you wish to use the 0° sleeve, it is necessary to remove the suspension fork and the headset so that you can replace the sleeve. This is a complex operation that needs specialist tools and knowledge. Head to your local Commencal Bicycles Authorized Retailer so that they can carry out the operation.



An anthracite grey +/-0.5° sleeve is available as an aftermarket for all Suprême, Absolut 4X and Meta 4X, as well as the Meta 6 in size S and M





ADJUSTABLE HEAD TUBE SLEEVE



ITEM	KIT CONTENT	GENCODE
1	1 x silver insert 118mm length - 0° for all Supreme DH, Supreme and Meta 6 (S/M size), Absolut 4X, Meta 4X	035500
1	1 x anthracite grey 118mm length - +/- 0.5° for all Supreme DH, Supreme and Meta 6 (S/M size), Absolut 4X, Meta 4X	036500
1	1 x black insert 118mm length - +/- 1° for all Supreme DH, Supreme and Meta 6 (S/M size), Absolut 4X, Meta 4X	800827
1	1 x anthracite grey 133mm length - +/- 0.5° for Meta 6 (L/XL size)	900845
1	1 x silver insert 133mm length - 0° for Meta 6 (L/XL size)	900846
2	2 x CHC M6 x 25mm bolts for adjustable head tube	800861

CHAINGUIDE COMPATIBILITY

THE COMMENÇAL CHAIN GUIDE MODELS

Gencode	Designation	Compatibility	
004100	Commençal Boomerang chainguide Old ISCG type	Compatible with : All bikes with OLD ISCG tab (except Supreme and Supreme DH) – All Absolut (with ISCG adapter) – Meta 4X/ Absolut 4X from 2005 to 2008	
004300	Commençal Boomerang chainguide ISCG 05 type	Compatible with : All bikes with 05 ISCG tab – Supreme Mini DH/ Supreme DH 2009 & 2010 – Meta 4X / Absolut 4X 2009 & 2010 – Furious 2008 to 2010 – Meta 6 2009 & 2010	
806700	Upper chain guide for Supreme DH 2005 to 2008	Supreme DH 2005 to 2008	
042000	Low Commençal chainguide Old ISCG type	Supreme DH 2005 to 2008	
800871	2 axles and 2 rollers kit for Commençal chainguide		
808052	Commençal bottom bracket ISCG adapter Old ISCG type	For all bikes without ISCG adapter	

CHAIN GUIDE

2005

Bikes	Tab Type?	Chainguide used	
		• BRAND	• TYPE
Suprême Mini DH	no	/	/
Suprême DH	OLD ISCG + TAR*	Chain Dog	Top chainguide + ressort
Absolut AL	no	/	/

2006

Bikes	Tab Type?	Chainguide used	
		• BRAND	• TYPE
Suprême Mini DH	OLD ISCG	/	/
Suprême DH	OLD ISCG + TAR*	Commençal	Top chainguide + ressort
Suprême DH team	OLD ISCG + TAR*	Commençal	Top chainguide + ressort
Absolut AL	no	/	/
Absolut 4X Team	OLD ISCG	Truvativ Box Guide	Boomerang
Absolut 4X / VIP	OLD ISCG	/	n/
Méta 4X Team	OLD ISCG	ChainDog	Top chainguide + ressort
Méta 4X / VIP	OLD ISCG	/	/

2007

Bikes	Tab Type?	Chainguide used	
		• BRAND	• TYPE
Suprême Mini DH	OLD ISCG	/	/
Suprême DH	OLD ISCG + TAR*	Commençal	Top chainguide + ressort
Suprême DH team	OLD ISCG + TAR*	Commençal	Top chainguide + ressort
Absolut AL	no	Truvativ Box Guide	Adapter + Boomerang
Absolut 4X / VIP	OLD ISCG	/	/
Méta 4X / VIP	OLD ISCG	/	/

* Rear Triangle

CHAINGUIDE COMPATIBILITY

2008

Bikes	Tab Type?	Chainguide used	
		• BRAND	• TYPE
Meta 6	no	/	/
Suprême Mini DH	OLD ISCG	Commençal	Boomerang
Suprême DH	OLD ISCG + TAR*	Commençal	Top chainguide + roulette
Suprême DH team	OLD ISCG + TAR*	E13 LG1	Boomerang
Furious	ISCG 05	Commençal	Boomerang
Absolut AL	no	Commencal	Adapter + Boomerang
Absolut 4X / VIP	OLD ISCG	/	/
Méta 4X / VIP	OLD ISCG	/	/

2009

Bikes	Tab Type?	Chainguide used	
		• BRAND	• TYPE
Meta 6	ISCG 05	/	/
Suprême Mini DH	ISCG 05	Commençal	Boomerang
Suprême DH	ISCG 05	Commençal	Boomerang
Suprême DH team	ISCG 05	E13 LG1	Boomerang
Furious	ISCG 05	Commençal	Boomerang
Absolut AL	no	Commencal	Adapter + Boomerang
Absolut 4X / VIP	ISCG 05	/	/
Méta 4X / VIP	ISCG 05	/	/

2010

Bikes	Tab Type?	Chainguide used	
		• BRAND	• TYPE
Suprême DH	ISCG 05	E13 LS1	Boomerang
Suprême Racing	ISCG 05	E13 LS1	Boomerang
Furious	ISCG 05	E13 LS1	Boomerang
Meta 6	ISCG 05	/	/
Absolut AL1	no	E13 LS1	Boomerang
Absolut AL2	no	E13 LS1	Boomerang
Absolut 4X/VIP	OLD ISCG 05	E13 LG1+	Boomerang
Absolut Ti 4X/VIP	ISCG 05	E13 LG1+	Boomerang
urious/VIP	ISCG 05	E13 LG1+	Boomerang
Suprême DH FFS	ISCG 05	E13 LG1+	Boomerang
Suprême FFS	ISCG 05	E13 LG1+	Boomerang

* Rear Triangle

TORQUE SETTINGS

PLEASE SEE BELOW THE MAXIMUM TORQUE VALUES TO APPLY, DEPENDING ON BOLT SIZE. OVER-TIGHTENING CAN RESULT IN DAMAGE TO THE BIKE AND COULD THEREFORE VOID YOUR WARRANTY

BOLT TYPE	TORQUE SETTINGS IN NEWTON-METERS	TORQUE SETTINGS IN POUND-FEET
M4	4.5 - 5.5 N.m	3 - 4.1 lb ft
M5	5.5 - 6.5 N.m	4.1 - 4.8 lb ft
M6	9.8 - 11.7 N.m	7.2 - 8.6 lb ft
M8	22 - 24 N.m	16.2 - 17.7 lb ft
M10	30 - 35 N.m	22.2 - 25.9 lb ft

FRAME PART COMPATIBILITY

Compatible
 Incompatible

2005 & 2007 META4	<div style="background-color: red; padding: 2px;">FRONT TRIANGLE</div> <div style="background-color: red; padding: 2px;">REAR TRIANGLE</div> <div style="background-color: yellow; padding: 2px;">CONROD</div> <div style="background-color: yellow; padding: 2px;">ROCKER</div> <div style="background-color: yellow; padding: 2px;">SHOCK</div>	2008 META4
META4 (ALL MODELS)	<div style="background-color: red; padding: 2px;">FRONT TRIANGLE</div> <div style="background-color: red; padding: 2px;">REAR TRIANGLE</div> <div style="background-color: yellow; padding: 2px;">CONROD</div> <div style="background-color: yellow; padding: 2px;">ROCKER</div> <div style="background-color: red; padding: 2px;">SHOCK</div>	META55 (ALL MODELS)
META4 (ALL MODELS)	<div style="background-color: red; padding: 2px;">FRONT TRIANGLE</div> <div style="background-color: red; padding: 2px;">REAR TRIANGLE</div> <div style="background-color: yellow; padding: 2px;">CONROD</div> <div style="background-color: yellow; padding: 2px;">ROCKER</div> <div style="background-color: yellow; padding: 2px;">SHOCK</div>	META4X (ALL MODELS)
META4 (ALL MODELS)	<div style="background-color: red; padding: 2px;">FRONT TRIANGLE</div> <div style="background-color: red; padding: 2px;">REAR TRIANGLE</div> <div style="background-color: red; padding: 2px;">CONROD</div> <div style="background-color: red; padding: 2px;">ROCKER</div> <div style="background-color: yellow; padding: 2px;">SHOCK</div>	2009 SUPER4
2005 to 2007 META55	<div style="background-color: red; padding: 2px;">FRONT TRIANGLE</div> <div style="background-color: red; padding: 2px;">REAR TRIANGLE</div> <div style="background-color: yellow; padding: 2px;">CONROD</div> <div style="background-color: yellow; padding: 2px;">ROCKER</div> <div style="background-color: yellow; padding: 2px;">SHOCK</div>	2008+ META55
2008 META6	<div style="background-color: red; padding: 2px;">FRONT TRIANGLE</div> <div style="background-color: red; padding: 2px;">REAR TRIANGLE</div> <div style="background-color: red; padding: 2px;">CONROD</div> <div style="background-color: red; padding: 2px;">ROCKER</div> <div style="background-color: red; padding: 2px;">SHOCK</div>	2008+ META55

FRAME PART COMPATIBILITY

Compatible
 Incompatible

2008 META 6	FRONT TRIANGLE REAR TRIANGLE CONROD ROCKER SHOCK	2009 META 6
2006 META 6	FRONT TRIANGLE REAR TRIANGLE CONROD ROCKER SHOCK	2008+ META 55
2008 & 2009 FURIOUS	FRONT TRIANGLE REAR TRIANGLE CONROD ROCKER SHOCK	2009 FURIOUS
2005 to 2008 SUPREME FR / MINI DH	FRONT TRIANGLE REAR TRIANGLE CONROD ROCKER SHOCK	2009 SUPREME
2005 to 2006 SUPREME DH	FRONT TRIANGLE REAR TRIANGLE CONROD ROCKER SHOCK	2007 to 2009 SUPREME DH
Up to the 2008 SUPREME DH	FRONT TRIANGLE REAR TRIANGLE CONROD ROCKER SHOCK	2009 SUPREME DH

FRAME PART COMPATIBILITY

Compatible
 Incompatible

SUPREME DH 2009	FRONT TRIANGLE	SUPREME DH 2010
	REAR TRIANGLE	
	CONROD	
	ROCKER	
	SHOCK	
SUPREME RACING 2009	FRONT TRIANGLE	SUPREME RACING 2010
	REAR TRIANGLE	
	CONROD	
	ROCKER	
	SHOCK	
FURIOUS 2009	FRONT TRIANGLE	FURIOUS 2010
	REAR TRIANGLE	
	CONROD	
	ROCKER	
	SHOCK	
FURIOUS CG 2009	FRONT TRIANGLE	FURIOUS 2010
	REAR TRIANGLE	
	CONROD	
	ROCKER	
	SHOCK	
META 6 2009	FRONT TRIANGLE	META 6 2010
	REAR TRIANGLE	
	CONROD	
	ROCKER	
	SHOCK	
META 55 2009	FRONT TRIANGLE	META 55 2009
	REAR TRIANGLE	
	CONROD	
	ROCKER	
	SHOCK	
SUPER 4 2009	FRONT TRIANGLE	SUPER 4 2010
	REAR TRIANGLE	
	CONROD	
	ROCKER	
	SHOCK	
META 4X 2009	FRONT TRIANGLE	META 4X 2009
	REAR TRIANGLE	
	CONROD	
	ROCKER	
	SHOCK	

2005 SPOKE LENGTHS

MODEL	HUB	SPOKE LENGTHS
COMBI	Front HUB	Left : 268mm - Right : 268mm
	Rear HUB	Left : 266mm - Right : 265mm
COMBI DISC	Front HUB	Left : 262mm - Right : 264mm
	Rear HUB	Left : 263mm - Right : 263mm
COMBI S	Front HUB	Left : 262mm - Right : 264mm
	Rear HUB	Left : 263mm - Right : 263mm
SUPERNORMAL	Front HUB	Left : 264mm - Right : 266mm
	Rear HUB	Left : 265mm - Right : 264mm
SUPERNORMAL DISC	Front HUB	Left : 264mm - Right : 265mm
	Rear HUB	Left : 266mm - Right : 264mm
ESSENCE	Front HUB	Left : 262mm - Right : 264mm
	Rear HUB	Left : 263mm - Right : 262mm
NORMAL LO	Front HUB	Left : 268mm - Right : 268mm
	Rear HUB	Left : 268mm - Right : 266mm
META 4.30	Front HUB	Left : 263mm - Right : 265mm
	Rear HUB	Left : 264mm - Right : 264mm
META 4.20	Front HUB	Left : 262mm - Right : 264mm
	Rear HUB	Left : 263mm - Right : 262mm
META 5.30	Front HUB	Left : 262mm - Right : 264mm
	Rear HUB	Left : 263mm - Right : 263mm
META 5.20	Front HUB	Left : 259mm - Right : 261mm
	Rear HUB	Left : 260mm - Right : 259mm
META 5.10	Front HUB	Left : 259mm - Right : 261mm
	Rear HUB	Left : 260mm - Right : 259mm
SUPREME	Front HUB	Left : 269mm - Right : 270mm
	Rear HUB	Left : 270mm - Right : 269mm
SUPREME 6.20	Front HUB	Left : 269mm - Right : 270mm
	Rear HUB	Left : 271mm - Right : 269mm
SUPREME 6.10	Front HUB	Left : 257mm - Right : 258mm
	Rear HUB	Left : 259mm - Right : 257mm
SUPREME DH	Front HUB	Left : 258mm - Right : 260mm
	Rear HUB	Left : 260mm - Right : 258mm

2005 SPOKE LENGTHS

MODEL	HUB	SPOKE LENGTHS
DH2	Front HUB	Left : 262mm - Right : 263mm
	Rear HUB	Left : 264mm - Right : 262mm
ABSOLUT AL	Front HUB	Left : 269mm - Right : 270mm
	Rear HUB	Left : 270mm - Right : 269mm
ABSOLUT CR-MOLY	Front HUB	Left : 270mm - Right : 271mm
	Rear HUB	Left : 273mm - Right : 272mm
COLT C	Front HUB	Left : 295mm - Right : 295mm
	Rear HUB	Left : 293mm - Right : 291mm
COLT FLAT	Front HUB	Left : 295mm - Right : 295mm
	Rear HUB	Left : 293mm - Right : 291mm

2006 SPOKE LENGTHS

MODEL	HUB	SPOKE LENGTHS
COMBI	Front HUB	Left : 268mm - Right : 268mm
	Rear HUB	Left : 266mm - Right : 265mm
COMBI DISC	Front HUB	Left : 262mm - Right : 264mm
	Rear HUB	Left : 263mm - Right : 263mm
COMBI S	Front HUB	Left : 262mm - Right : 264mm
	Rear HUB	Left : 263mm - Right : 263mm
SUPERNORMAL	Front HUB	Left : 264mm - Right : 266mm
	Rear HUB	Left : 266mm - Right : 264mm
SUPERNORMAL DISC	Front HUB	Left : 261mm - Right : 263mm
	Rear HUB	Left : 263mm - Right : 261mm
ESSENCE	Front HUB	Left : 261mm - Right : 263mm
	Rear HUB	Left : 263mm - Right : 261mm
NORMAL	Front HUB	Left : 268mm - Right : 268mm
	Rear HUB	Left : 266mm - Right : 265mm
NORMAL DISC	Front HUB	Left : 263mm - Right : 265mm
	Rear HUB	Left : 264mm - Right : 264mm
R2	Front HUB	Left : 268mm - Right : 268mm
	Rear HUB	Left : 268mm - Right : 266mm
META 4.30	Front HUB	Left : 261mm - Right : 263mm
	Rear HUB	Left : 263mm - Right : 261mm
META 5.40	Front HUB	Left : 262mm - Right : 264mm
	Rear HUB	Left : 264mm - Right : 264mm
META 5.30	Front HUB	Left : 261mm - Right : 263mm
	Rear HUB	Left : 263mm - Right : 261mm
META 5.20	Front HUB	Left : 258mm - Right : 260mm
	Rear HUB	Left : 259mm - Right : 258mm
SUPREME 6.30	Front HUB	Left : 262mm - Right : 263mm
	Rear HUB	Left : 263mm - Right : 263mm
SUPREME 6.20	Front HUB	Left : 262mm - Right : 263mm
	Rear HUB	Left : 264mm - Right : 262mm
SUPREME 6.10	Front HUB	Left : 262mm - Right : 263mm
	Rear HUB	Left : 264mm - Right : 262mm

2006 SPOKE LENGTHS

MODEL	HUB	SPOKE LENGTHS
SUPREME 6 TEAM	Front HUB	Left : 255mm - Right : 256mm
	Rear HUB	Left : 257mm - Right : 255mm
SUPREME DH	Front HUB	Left : 262mm - Right : 263mm
	Rear HUB	Left : 264mm - Right : 262mm
SUPREME DH TEAM	Front HUB	Left : 255mm - Right : 256mm
	Rear HUB	Left : 257mm - Right : 255mm
ABSOLUT AL3	Front HUB	Left : 261mm - Right : 263mm
	Rear HUB	Left : 262mm - Right : 262mm
ABSOLUT AL2	Front HUB	Left : 262mm - Right : 265mm
	Rear HUB	Left : 264mm - Right : 264mm
ABSOLUT AL1	Front HUB	Left : 261mm - Right : 263mm
	Rear HUB	Left : 263mm - Right : 261mm
ABSOLUT CRMO	Front HUB	Left : 270mm - Right : 271mm
	Rear HUB	Left : 273mm - Right : 272mm
COLT FLAT	Front HUB	Left : 295mm - Right : 295mm
	Rear HUB	Left : 293mm - Right : 291mm

2007 SPOKE LENGTHS

MODEL	HUB	SPOKE LENGTHS
COMBI	Front HUB	Left : 260mm - Right : 262mm
	Rear HUB	Left : 261mm - Right : 261mm
COMBI DISC	Front HUB	Left : 260mm - Right : 262mm
	Rear HUB	Left : 261mm - Right : 261mm
COMBI DISC HYDRO	Front HUB	Left : 260mm - Right : 262mm
	Rear HUB	Left : 261mm - Right : 261mm
COMBI S	Front HUB	Left : 260mm - Right : 262mm
	Rear HUB	Left : 261mm - Right : 261mm
R2	Front HUB	Left : 267mm - Right : 267mm
	Rear HUB	Left : 267mm - Right : 265mm
ABSOLUT MAXMAX	Front HUB	Left : 265mm - Right : 265mm
	Rear HUB	Left : 265mm - Right : 264mm
R3	Front HUB	Left : 264mm - Right : 264mm
	Rear HUB	Left : 263mm - Right : 261mm
COMBI	Front HUB	Left : 260mm - Right : 262mm
	Rear HUB	Left : 261mm - Right : 261mm
COMBI R	Front HUB	Left : 262mm - Right : 264mm
	Rear HUB	Left : 263mm - Right : 263mm
SUPERNORMAL	Front HUB	Left : 262mm - Right : 264mm
	Rear HUB	Left : 264mm - Right : 262mm
SUPERNORMAL DISC	Front HUB	Left : 261mm - Right : 265mm
	Rear HUB	Left : 263mm - Right : 261mm
FLAME	Front HUB	Left : 258mm - Right : 262mm
	Rear HUB	Left : 259mm - Right : 258mm
COMBI DISC	Front HUB	Left : 260mm - Right : 262mm
	Rear HUB	Left : 261mm - Right : 261mm
COMBI DISC HYDRO	Front HUB	Left : 260mm - Right : 262mm
	Rear HUB	Left : 261mm - Right : 261mm
COMBI S	Front HUB	Left : 260mm - Right : 262mm
	Rear HUB	Left : 261mm - Right : 261mm
META 4.3	Front HUB	Left : 260mm - Right : 262mm
	Rear HUB	Left : 261mm - Right : 261mm
META 4.2	Front HUB	Left : 261mm - Right : 265mm
	Rear HUB	Left : 263mm - Right : 261mm

2007 SPOKE LENGTHS

MODEL	HUB	SPOKE LENGTHS
META 4.1	Front HUB Rear HUB	Left : 258mm - Right : 262mm Left : 259mm - Right : 258mm
META 5.5.30	Front HUB Rear HUB	Left : 262mm - Right : 264mm Left : 263mm - Right : 263mm
META 5.5.2	Front HUB Rear HUB	Left : 261mm - Right : 263mm Left : 263mm - Right : 261mm
META 5.5.1	Front HUB Rear HUB	Left : 258mm - Right : 262mm Left : 259mm - Right : 258mm
META 5.5 TEAM	Front HUB Rear HUB	Left : 261mm - Right : 264mm Left : 263mm - Right : 261mm
SUPREME 6.3	Front HUB Rear HUB	Left : 262mm - Right : 263mm Left : 263mm - Right : 263mm
SUPREME 6.2	Front HUB Rear HUB	Left : 262mm - Right : 263mm Left : 263mm - Right : 263mm
SUPREME 6.1	Front HUB Rear HUB	Left : 262mm - Right : 263mm Left : 263mm - Right : 262mm
SUPREME mini DH Team	Front HUB Rear HUB	Left : 262mm - Right : 264mm Left : 263mm - Right : 262mm
SUPREME DH	Front HUB Rear HUB	Left : 262mm - Right : 263mm Left : 266mm - Right : 264mm
SUPREME DH TEAM	Front HUB Rear HUB	Left : 255mm - Right : 257mm Left : 256mm - Right : 255mm
ABSOLUT 2	Front HUB Rear HUB	Left : 261mm - Right : 263mm Left : 262mm - Right : 262mm
ABSOLUT 1	Front HUB Rear HUB	Left : 263mm - Right : 265mm Left : 263mm - Right : 263mm
ABSOLUT CRMO	Front HUB Rear HUB	Left : 267mm - Right : 268mm Left : 269mm - Right : 268mm

2008 SPOKE LENGTHS

MODEL	HUB	SPOKE LENGTHS
NORMAL VS	Front HUB	Left : 262mm - Right : 263mm
	Rear HUB	Left : 264mm - Right : 262mm
NORMAL RS	Front HUB	Left : 262mm - Right : 263mm
	Rear HUB	Left : 264mm - Right : 262mm
NORMAL	Front HUB	Left : 261mm - Right : 263mm
	Rear HUB	Left : 263mm - Right : 262mm
NORMAL MECHANICALDISC RS	Front HUB	Left : 261mm - Right : 263mm
	Rear HUB	Left : 263mm - Right : 262mm
COMBI HYDRAULIC DISC	Front HUB	Left : 261mm - Right : 263mm
	Rear HUB	Left : 262mm - Right : 260mm
COMBI HYDRAULIC DISC RS	Front HUB	Left : 261mm - Right : 263mm
	Rear HUB	Left : 262mm - Right : 260mm
COMBI S	Front HUB	Left : 261mm - Right : 263mm
	Rear HUB	Left : 262mm - Right : 260mm
COMBI S RS	Front HUB	Left : 261mm - Right : 263mm
	Rear HUB	Left : 262mm - Right : 260mm
COMBI DELUXE	Front HUB	Left : 261mm - Right : 263mm
	Rear HUB	Left : 262mm - Right : 260mm
COMBI MAXMAX V-BRAKE	Front HUB	Left : 266mm - Right : 267mm
	Rear HUB	Left : 268mm - Right : 267mm
SUPERNORMAL DISC	Front HUB	Left : 262mm - Right : 264mm
	Rear HUB	Left : 263mm - Right : 261mm
FLAME	Front HUB	Left : 258mm - Right : 259mm
	Rear HUB	Left : 259mm - Right : 258mm
META 4.3	Front HUB	Left : 261mm - Right : 263mm
	Rear HUB	Left : 262mm - Right : 260mm
META 4.2	Front HUB	Left : 262mm - Right : 264mm
	Rear HUB	Left : 263mm - Right : 261mm
META 4.1	Front HUB	Left : 258mm - Right : 259mm
	Rear HUB	Left : 259mm - Right : 258mm
META 5.5.30	Front HUB	Left : 260mm - Right : 262mm
	Rear HUB	Left : 261mm - Right : 259mm
META 5.5.2	Front HUB	Left : 259mm - Right : 261mm
	Rear HUB	Left : 261mm - Right : 259mm

2008 SPOKE LENGTHS

MODEL	HUB	SPOKE LENGTHS
META 5.5.2	Front HUB	Left : 259mm - Right : 261mm
	Rear HUB	Left : 261mm - Right : 259mm
META 5.5.1	Front HUB	Left : 258mm - Right : 259mm
	Rear HUB	Left : 259mm - Right : 258mm
META 6	Front HUB	Left : 258mm - Right : 259mm
	Rear HUB	Left : 258mm - Right : 257mm
META 6 TEAM	Front HUB	Left : 259mm - Right : 260mm
	Rear HUB	Left : 260mm - Right : 259mm
SUPREME 24»	Front HUB	Left : 233mm - Right : 234mm
	Rear HUB	Left : 234mm - Right : 232mm
SUPREME 6.2	Front HUB	Left : 262mm - Right : 263mm
	Rear HUB	Left : 263mm - Right : 261mm
SUPREME 6.1	Front HUB	Left : 259mm - Right : 260mm
	Rear HUB	Left : 261mm - Right : 259mm
SUPREME DH	Front HUB	Left : 262mm - Right : 263mm
	Rear HUB	Left : 264mm - Right : 263mm
SUPREME DH TEAM	Front HUB	Left : 258mm - Right : 259mm
	Rear HUB	Left : 259mm - Right : 258mm
FURIOUS	Front HUB	Left : 268mm - Right : 269mm
	Rear HUB	Left : 270mm - Right : 268mm
ABSOLUT MAXMAX	Front HUB	Left : 243mm - Right : 243mm
	Rear HUB	Left : 242mm - Right : 241mm
ABSOLUT MAXMAX 26»	Front HUB	Left : 268mm - Right : 268mm
	Rear HUB	Left : 268mm - Right : 267mm
ABSOLUT 2	Front HUB	Left : 264mm - Right : 265mm
	Rear HUB	Left : 265mm - Right : 264mm
ABSOLUT 1	Front HUB	Left : 259mm - Right : 260mm
	Rear HUB	Left : 261mm - Right : 260mm
ABSOLUT MAXMAX TEAM	Front HUB	Left : 268mm - Right : 268mm
	Rear HUB	Left : 268mm - Right : 267mm
META 5.5.2	Front HUB	Left : 262mm - Right : 264mm
	Rear HUB	Left : 263mm - Right : 262mm
ABSOLUT FURIOUS	Front HUB	Left : 264mm - Right : 265mm
	Rear HUB	Left : 265mm - Right : 264mm
META 6 LIMITED	Front HUB	Left : 260mm - Right : 261mm
	Rear HUB	Left : 261mm - Right : 259mm
ANIMAL MAXMAX	Front HUB	Left : 268mm - Right : 268mm
	Rear HUB	Left : 268mm - Right : 267mm

2009 SPOKE LENGTHS

MODEL	HUB	SPOKE LENGTHS
NORMAL	Front HUB	Left : 262mm - Right : 263mm
	Rear HUB	Left : 263mm - Right : 261mm
NORMAL HYDRAULIC DISC	Front HUB	Left : 259mm - Right : 260mm
	Rear HUB	Left : 261mm - Right : 259mm
COMBI HYDRAULIC DISC	Front HUB	Left : 258mm - Right : 259mm
	Rear HUB	Left : 259mm - Right : 257mm
COMBI S	Front HUB	Left : 258mm - Right : 259mm
	Rear HUB	Left : 259mm - Right : 257mm
COMBI DELUXE	Front HUB	Left : 258mm - Right : 259mm
	Rear HUB	Left : 259mm - Right : 257mm
SUPERNORMAL DISC	Front HUB	Left : 258mm - Right : 261mm
	Rear HUB	Left : 259mm - Right : 257mm
SKIN 2	Front HUB	Left : 258mm - Right : 261mm
	Rear HUB	Left : 259mm - Right : 257mm
SKIN 1	Front HUB	Left : 262mm - Right : 265mm
	Rear HUB	Left : 263mm - Right : 261mm
SUPER 4.3	Front HUB	Left : 258mm - Right : 259mm
	Rear HUB	Left : 259mm - Right : 257mm
SUPER 4.2	Front HUB	Left : 258mm - Right : 261mm
	Rear HUB	Left : 259mm - Right : 257mm
SUPER 4.1	Front HUB	Left : 262mm - Right : 265mm
	Rear HUB	Left : 263mm - Right : 261mm
META 5.5.3	Front HUB	Left : 258mm - Right : 259mm
	Rear HUB	Left : 259mm - Right : 257mm
META 5.5.2	Front HUB	Left : 260mm - Right : 263mm
	Rear HUB	Left : 261mm - Right : 259mm
META 5.5.1	Front HUB	Left : 260mm - Right : 263mm
	Rear HUB	Left : 261mm - Right : 259mm
META 6.3	Front HUB	Left : 258mm - Right : 259mm
	Rear HUB	Left : 259mm - Right : 257mm
META 6.2	Front HUB	Left : 259mm - Right : 260mm
	Rear HUB	Left : 261mm - Right : 259mm

2009 SPOKE LENGTHS

MODEL	HUB	SPOKE LENGTHS
META 6.1	Front HUB	Left : 259mm - Right : 260mm
	Rear HUB	Left : 260mm - Right : 259mm
SUPREME 24»	Front HUB	Left : 232mm - Right : 233mm
	Rear HUB	Left : 234mm - Right : 232mm
SUPREME 6.2	Front HUB	Left : 258mm - Right : 259mm
	Rear HUB	Left : 259mm - Right : 257mm
SUPREME 6.1	Front HUB	Left : 259mm - Right : 260mm
	Rear HUB	Left : 261mm - Right : 259mm
SUPREME DH	Front HUB	Left : 258mm - Right : 259mm
	Rear HUB	Left : 261mm - Right : 259mm
SUPREME DH TEAM REPLICA	Front HUB	Left : 258mm - Right : 259mm
	Rear HUB	Left : 259mm - Right : 258mm
FURIOUS 2	Front HUB	Left : 268mm - Right : 269mm
	Rear HUB	Left : 270mm - Right : 268mm
FURIOUS CG	Front HUB	Left : 265mm - Right : 266mm
	Rear HUB	Left : 267mm - Right : 265mm
ABSOLUT MAXMAX 24»	Front HUB	Left : 243mm - Right : 244mm
	Rear HUB	Left : 244mm - Right : 243mm
ABSOLUT MAXMAX	Front HUB	Left : 268mm - Right : 269mm
	Rear HUB	Left : 269mm - Right : 268mm
ABSOLUT AL2	Front HUB	Left : 264mm - Right : 265mm
	Rear HUB	Left : 265mm - Right : 264mm
ABSOLUT AL1	Front HUB	Left : 253mm - Right : 255mm
	Rear HUB	Left : 254mm - Right : 254mm
ABSOLUT CRMO 24»	Front HUB	Left : 243mm - Right : 244mm
	Rear HUB	Left : 245mm - Right : 245mm
ABSOLUT CRMO	Front HUB	Left : 265mm - Right : 266mm
	Rear HUB	Left : 266mm - Right : 266mm
META 5.5XT	Front HUB	Left : 261mm - Right : 262mm
	Rear HUB	Left : 263mm - Right : 261mm
ABSOLUT MAXMAX CG	Front HUB	Left : 264mm - Right : 265mm
	Rear HUB	Left : 265mm - Right : 264mm
BABYLON 2 HYBRID	Front HUB	Left : - Right :
	Rear HUB	Left : - Right :
BABYLON 1 HYBRID	Front HUB	Left : 290mm - Right : 293mm
	Rear HUB	Left : 290mm - Right : 289mm

2010 SPOKE LENGTHS

MODEL	HUB	SPOKE LENGTHS
PREMIER VB	Front HUB	Left : 265mm - Right : 265mm
	Rear HUB	Left : 262mm - Right : 264mm
PREMIER DISC	Front HUB	Left : 258mm - Right : 260mm
	Rear HUB	Left : 258mm - Right : 260mm
PREMIER PRO	Front HUB	Left : 259mm - Right : 26mm
	Rear HUB	Left : 259mm - Right : 257mm
PREMIER DELUXE	Front HUB	MAVIC WHEEL SET
	Rear HUB	
MAXMAX 26''	Front HUB	Left : 259mm - Right : 261mm
	Rear HUB	Left : 258mm - Right : 259mm
MAXMAX 26'' BLUE	Front HUB	Left : 259mm - Right : 261mm
	Rear HUB	Left : 258mm - Right : 259mm
MAXMAX 26'' RED	Front HUB	Left : 259mm - Right : 261mm
	Rear HUB	Left : 258mm - Right : 259mm
MAXMAX CRMO	Front HUB	Left : 260mm - Right : 263mm
	Rear HUB	Left : 259mm - Right : 259mm
ABSOLUT CG CRMO	Front HUB	Left : 258mm - Right : 256mm
	Rear HUB	Left : 255mm - Right : 256mm
ABSOLUT AL2	Front HUB	Left : 258mm - Right : 256mm
	Rear HUB	Left : 255mm - Right : 256mm
ABSOLUT AL1	Front HUB	Left : 259mm - Right : 258mm
	Rear HUB	Left : 258mm - Right : 256mm
SKIN 2	Front HUB	Left : 262mm - Right : 264mm
	Rear HUB	Left : 262mm - Right : 264mm
SKIN 1	Front HUB	Left : 262mm - Right : 264mm
	Rear HUB	Left : 262mm - Right : 2464mm
SUPER 4 PRO	Front HUB	MAVIC WHEEL SET
	Rear HUB	
SUPER 4 TEAM	Front HUB	Left : 263mm - Right : 265mm
	Rear HUB	Left : 263mm - Right : 265mm
SUPER 4 CARBON	Front HUB	Left : 263mm - Right : 265mm
	Rear HUB	Left : 263mm - Right : 265mm
RAMONES 2	Front HUB	Left : 258mm - Right : 260mm
	Rear HUB	Left : 258mm - Right : 260mm
RAMONES 1	Front HUB	Left : 258mm - Right : 260mm
	Rear HUB	Left : 258mm - Right : 260mm

2010 SPOKE LENGTHS

MODEL	HUB	SPOKE LENGTHS
META 55 PRO	Front HUB Rear HUB	MAVIC WHEEL SET
META 55 TEAM	Front HUB Rear HUB	MAVIC WHEEL SET
META 55 LTD	Front HUB Rear HUB	Left : 262mm - Right : 264mm Left : 262mm - Right : 264mm
META 55 CARBON	Front HUB Rear HUB	Left : 263mm - Right : 265mm Left : 263mm - Right : 265mm
META 6	Front HUB Rear HUB	Left : 258mm - Right : 260mm Left : 258mm - Right : 260mm
SUPREME	Front HUB Rear HUB	Left : 259mm - Right : 261mm Left : 259mm - Right : 261mm
SUPREME DH	Front HUB Rear HUB	Left : 259mm - Right : 261mm Left : 259mm - Right : 261mm
FURIOUS	Front HUB Rear HUB	Left : 259mm - Right : 261mm Left : 259mm - Right : 261mm
ABSOLUT CRMO	Front HUB Rear HUB	Left : 259mm - Right : 261mm Left : 259mm - Right : 261mm
ABSOLUT SX	Front HUB Rear HUB	Left : 259mm - Right : 261mm Left : 259mm - Right : 261mm
BABYLON WHITE	Front HUB Rear HUB	Left : 289mm - Right : 291mm Left : 289mm - Right : 291mm
BABYLON 3 WHITE	Front HUB Rear HUB	Left : 296mm - Right : 297mm Left : 296mm - Right : 297mm
BABYLON BLACK	Front HUB Rear HUB	Left : 289mm - Right : 291mm Left : 289mm - Right : 291mm
BABYLON 3 BLACK	Front HUB Rear HUB	Left : 296mm - Right : 297mm Left : 296mm - Right : 297mm