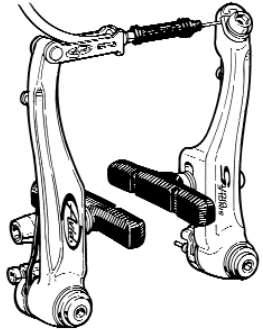




SINGLE DIGIT® 5

INSTALLATION AND OPERATION INSTRUCTIONS



IMPORTANT

Brakes are a safety-critical item on a bicycle. Improper set-up or use of brakes can result in loss of control or an accident, which could lead to a severe injury.

It's your responsibility to learn and understand proper braking techniques. Consult the owner's manual for your bicycle and a professional bike dealer. Practice your riding and braking techniques on a flat and level surface prior to aggressive riding.

The effectiveness of braking is dependent on many conditions over which Avid has no control including the speed of the bicycle, type and condition of the riding surface, braking lever force, proper installation and maintenance of brakes, cables, levers, brake pads, the condition of the bike, weight of the rider, proper braking techniques, weather, terrain, and a variety of other factors.

Avid brakes and levers are not intended for use on any motorized bicycle or vehicle. Any such use could result in a serious personal injury.

ALWAYS RIDE UNDER CONTROL.

Remember, it takes longer to stop in wet conditions. To reduce the possibility of an accident and minimize trail erosion, you should avoid locking-up your wheels.

1D5-02/02

BRAKE INSTALLATION

IMPORTANT!

Only levers designated for direct-pull brakes such as the Speed Dial® Ultimate, Speed Dial® Ti, 7, 5 and AD3™ levers can be used with Single Digit® brakes. If you have any questions concerning compatibility of levers and brakes, contact your professional bike dealer.

Follow these instructions carefully. If you do not understand the instructions, have the installation done by a professional bike mechanic.

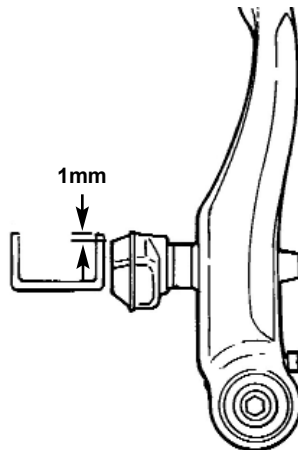


Installation Tools Needed:
3mm and 5mm hex wrenches,
torque wrench and cable cutters.

3

ALIGN THE PADS

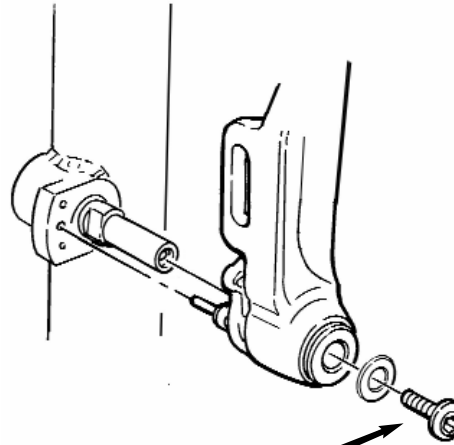
Next, adjust the brake pad to be parallel with the rim. The top of pad should be at 1mm below the top of the rim.



1

MOUNT THE BRAKE

Brake bosses must be clean and free of debris. Grease bosses lightly. Align the brake pin with the center brake boss hole. Tighten the mounting bolt.

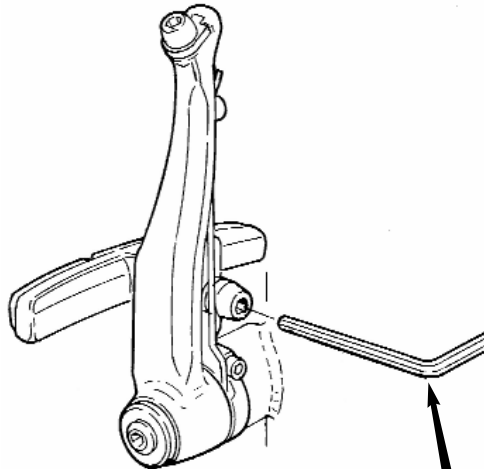


Tighten Mounting Bolt to:
5 - 7 Nm (43 - 61 in lb)

4

TIGHTEN THE PADS

With the pads aligned properly and flat against the rim, tighten the fixing nut to the specified torque.

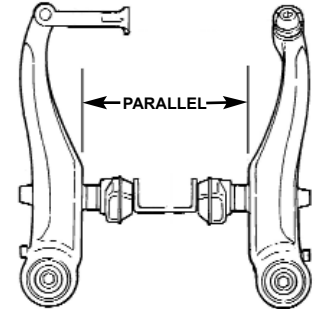


Tighten Pad Fixing Nut to:
6 - 8 Nm (52 - 69 in lb)

2

CHECK THE PAD SPACING

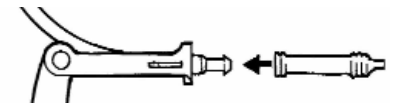
Check that the brake arms are approximately parallel when the brake pads are on the rim. There are 4 spacing options: 3mm, 4mm, 5mm, and 6mm. If the arms aren't parallel, check the chart on the back for corresponding washer configurations.



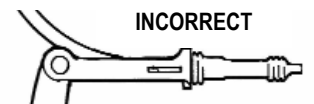
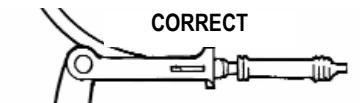
5

INSTALL THE BOOT

Insert the boot over the first lip of the noodle. **DO NOT push the boot all the way up to the link.** The Avid noodle & boot are designed to be removed from the link without having to disengage the boot.



CORRECT

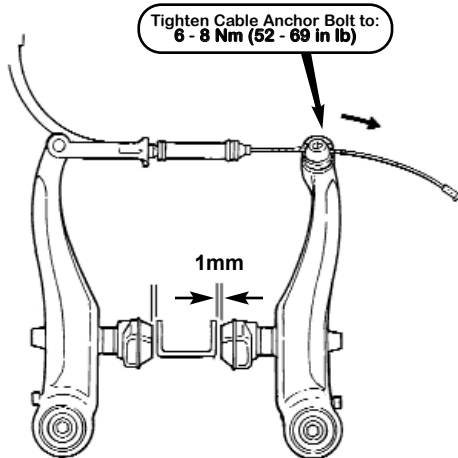


INCORRECT

6

ANCHOR THE CABLE

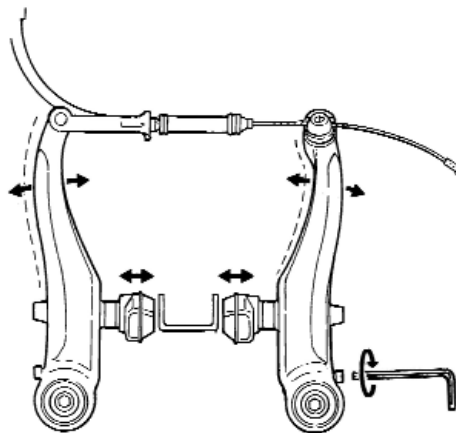
Pull the cable tight enough to have clearance of 1 - 1.5mm, per side, between the rim and the brake pads. Tighten the cable anchor bolt to the specified torque.



7

CENTER THE BRAKE

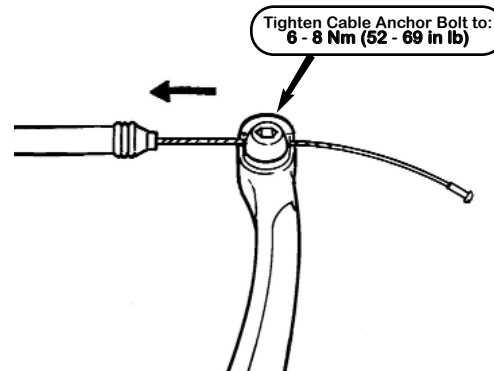
Center the brake by adjusting the spring tension adjusters. Turn each spring adjuster screw with a 3mm hex wrench clockwise to increase spring tension.



8

TEST THE SYSTEM

With two fingers, squeeze the brake lever firmly about a dozen times to ensure the cables are seated properly and operate smoothly. Make sure the cable has not slipped at the cable anchor bolt. Re-torque if necessary.

**LIMITED WARRANTY**

Avid, LLC (Avid) warrants to the original consumer purchaser of every Avid product that the product shall be free from defects in workmanship and materials for a period of one (1) year from the original date of purchase. The sole remedy under this warranty is limited to, at Avid's sole discretion, repair or replacement of the defective product. Labor and shipping costs are excluded from this warranty. This warranty only applies to the original consumer purchaser and is not transferable.

THIS WARRANTY DOES NOT COVER normal wear and tear (including, without limitation, brake pad wear), or defects or failures that are related in any way to improper installation or follow-up maintenance, accident, abuse or neglect (including, without limitation, thread damage). Since Avid has no control over the product's final use, Avid also does not warrant the suitability of the product for specific riders and/or uses.

IN NO EVENT SHALL AVID BE RESPONSIBLE FOR INCIDENTAL OR CONSEQUENTIAL DAMAGES, WHETHER BASED ON CONTRACT, WARRANTY, NEGLIGENCE, OR STRICT OR PRODUCTS LIABILITY, INCLUDING WITHOUT LIMITATION, PERSONAL INJURY DAMAGES, PROPERTY DAMAGE OR ECONOMIC LOSSES. Some states do not allow the exclusion or limitation of incidental or consequential damages, so the above limitation or exclusion may not apply to you.

AVID MAKES NO OTHER EXPRESS WARRANTIES. ALL IMPLIED WARRANTIES, INCLUDING ANY WARRANTIES OF MERCHANTABILITY OR FITNESS FOR A PARTICULAR PURPOSE, ARE EXPRESSLY LIMITED TO THE ONE (1) YEAR DURATION OF THIS WARRANTY. Some states do not allow limitations on how long an implied warranty lasts, so the above limitation may not apply to you.

Claims under this warranty may be initiated with any Avid dealer. If this is not practical, you may contact Avid in writing at the address listed below. Dated proof of purchase must accompany all warranty claims.

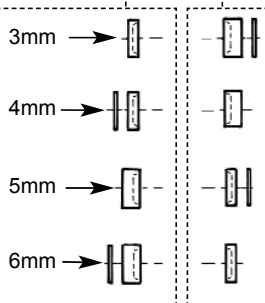
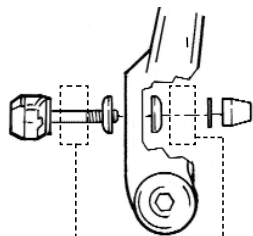
This warranty gives you specific legal rights, and you may also have other rights which vary from state to state.

Avid, LLC 2875 W Oxford Ave # 7 Englewood, CO 80110 USA
tel 303.762.9353 fax 303.762.1133
Website: www.avidbike.com Email: tech@avidbike.com

Avid, Single Digit and Rim Wrangler are trademarks of Avid, LLC

Pad Alignment

As noted in step 2, there are 4 pad spacing options. Use one of the following configurations to ensure the brake arms are approximately parallel:

**Troubleshooting / Tech Tips**

1. If you use lighter spring tension at the adjuster, you will use less hand energy when operating the brake lever. Lighter spring tension will also keep the brake better centered.
2. Avid Single Digit brakes are designed to use the supplied Avid noodle and boot. The use of any other noodle or boot could cause brake failure and lead to serious injury. Doing so will void the warranty.
3. Brake pad condition plays an important role in the performance of brakes, check them before every ride. If you have any question about their condition, consult your bicycle dealer or replace them.

20R™ Brake Pads

Single Digit 5 Brakes come standard with Avid's 20R™ Brake Pad. This is a one piece pad that works in any orientation, left or right, front or rear.

READY FOR AN UPGRADE?

Try Avid's Rim Wrangler 2™ Cartridge Pads. More stopping power, and the convenience of only having to replace the pad insert. Ask your local bike shop for details.